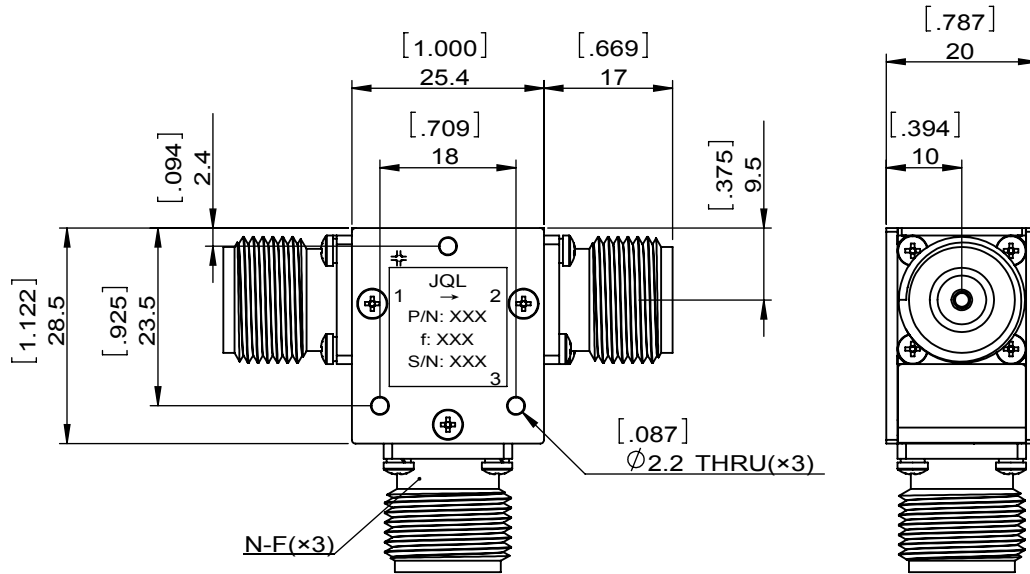
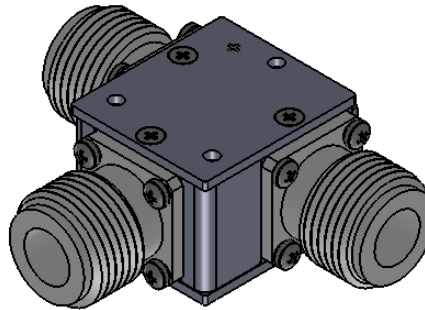
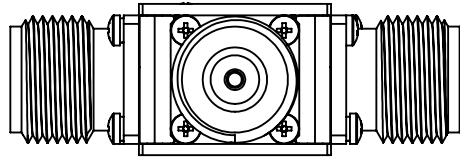


1	2
Document No.	QR4-700-T-003
REV.	A/0

3	4	5	6
REV.	DESCRIPTION	REVISOR	DATE
0		M.Hao	04.10.2014
			APPROVED
			David



SPECIFICATIONS	
Part's Number	JCC1200T1400N30
Frequency(GHz)	1.200~1.400
Direction	-
Insertion Loss(dB)MAX	0.25
Isolation(dB)MIN	22.0
Return Loss(dB)MIN	22.0
3rd IMD(dBc)MAX	-
Power FWD/REV/PK(Watt)	300/300/2000 20%
Operating Temperature(°C)	-35~+75
Storage Temperature(°C)	-
2nd/3rd Harmonic(dBc)	-
Termination/Attenuator(Watt/dB)	-
Tab(W×LG×THK)(mm[Inch])	-
Additional Notes	-

<b>JQL</b> JQL Electronic Inc				
<b>MATERIAL:</b> STEEL		<b>DWG NO:</b> JCC1200T1400N30		
<b>SURFACE TREATMENT:</b> NICKEL PLATING		DWG BY:	M.Hao	04.10.2014
<b>DESCRIPTION:</b> COAXIAL CIRCULATOR		CHK'D BY:		SACLE
		APPV'D BY:		1:1
Unit: mm[inch]	Tolerance: Liner: ±0.25 Anguar: ±0.5°	The First:		A4



This document is the property of JQL Electronic Inc. It cannot be copied, duplicated, used for manufacturing purposes or communicated to third party as a whole or partly, without the written consent of JQL Electronic Inc.