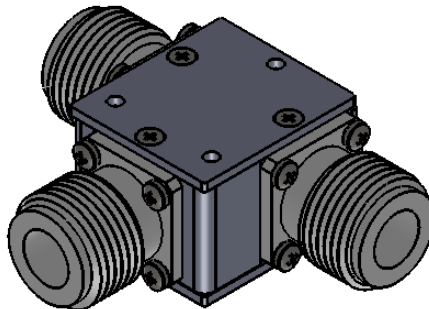
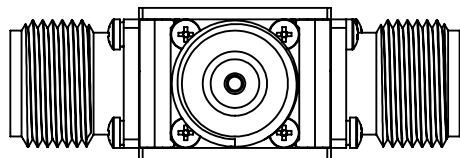
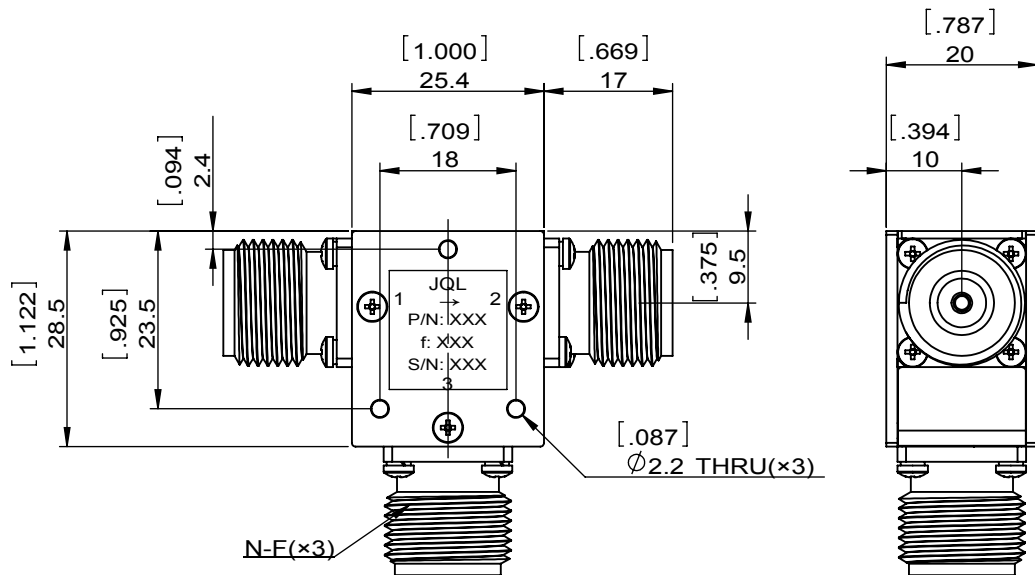


1		2		3		4		5		6	
Document No.	QR4-700-T-003	REV.	A/0	REV.	DESCRIPTION	REVISOR	DATE	APPROVED			
		0		ZC.Wu	08.25.2015	David					



SPECIFICATIONS	
Part's Number	JCC2300T2700N10
Frequency(GHz)	2.300~2.700
Direction	-
Insertion Loss(dB)MAX	0.3
Isolation(dB)MIN	20.0
Return Loss(dB)MIN	20.0
3rd IMD(dBc)MAX	-
Power FWD/REV/PK(Watt)	100/100/-
Operating Temperature(°C)	-30~+75
Storage Temperature(°C)	-
2nd/3rd Harmonic(dBc)	-
Termination/Attenuator(Watt/dB)	-
Tab(W×LG×THK)(mm[Inch])	-
Additional Notes	-



This document is the property of JQL Electronic Inc. It cannot be copied, duplicated, used for manufacturing purposes or communicated to third party as a whole or partly, without the written consent of JQL Electronic Inc.

<b>JQL</b> JQL Electronic Inc		<b>DWG NO:</b> JCC2300T2700N10			
<b>MATERIAL:</b> STEEL		DWG BY: ZC.Wu		08.25.2015	
<b>SURFACE TREATMENT:</b> NICKEL PLATING		CHK'D BY:		SCALE	
<b>DESCRIPTION:</b> COAXIAL CIRCULATOR		APPV'D BY:		1:1	
Unit: mm[inch]		Tolerance: Liner: ±0.25 Anguar: ±0.5°		The First:	
				A4	