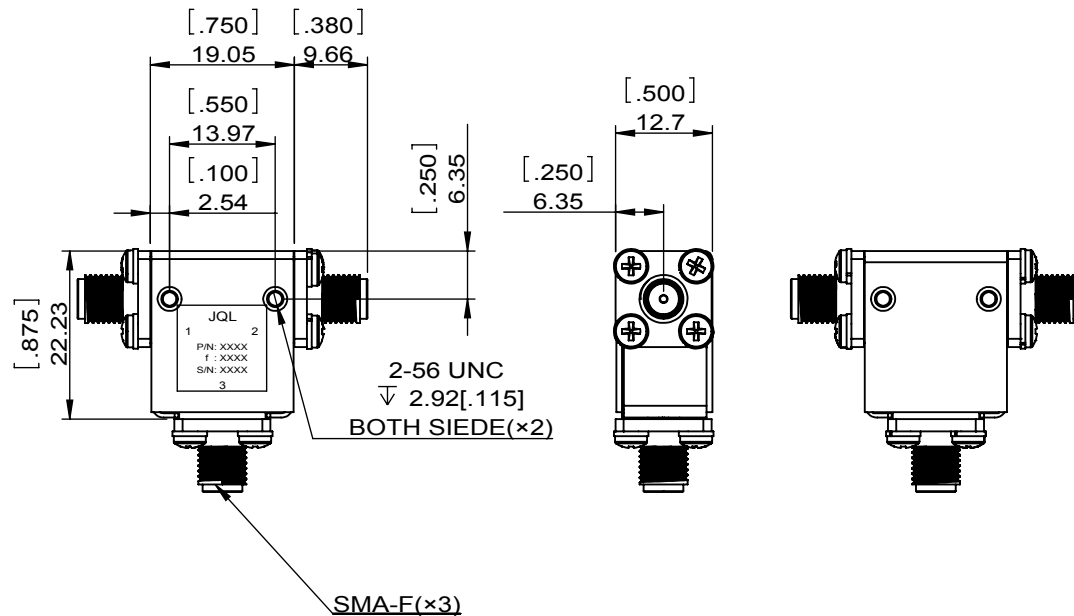


1		2		3		4		5		6		
Document No.	QR4-700-T-003							REV.	DESCRIPTION	REVISOR	DATE	APPROVED
REV.	A/0							0		ZC.Wu	08.07.2015	David



SPECIFICATIONS	
Part's Number	JCC4000T5000S3
Frequency(GHz)	4.000~5.000
Direction	-
Insertion Loss(dB)MAX	0.35
Isolation(dB)MIN	20.0
Return Loss(dB)MIN	20.0
3rd IMD(dBc)MAX	-
Power FWD/REV/PK(Watt)	30/30/-
Operating Temperature(°C)	-40~+85
Storage Temperature(°C)	-35~+75
2nd/3rd Harmonic(dBc)	-
Termination/Attenuator(Watt/dB)	
Tab(W×LG×THK)(mm[Inch])	-
Additional Notes	-

JQL JQL Electronic Inc				
MATERIAL: STEEL		DWG NO: JCC4000T5000S3		
SURFACE TREATMENT: NICKEL PLATING		DWG BY:	ZC.Wu	08.07.2015
DESCRIPTION: COAXIAL CIRCULATOR		CHK'D BY:		SCALE
		APPV'D BY:		1:1
Unit:	Tolerance:	The First:		A4
mm[inch]	Liner: ±0.25 Anguar: ±0.5°			



This document is the property of JQL Electronic Inc. It cannot be copied, duplicated, used for manufacturing purposes or communicated to third party as a whole or partly, without the written consent of JQL Electronic Inc.