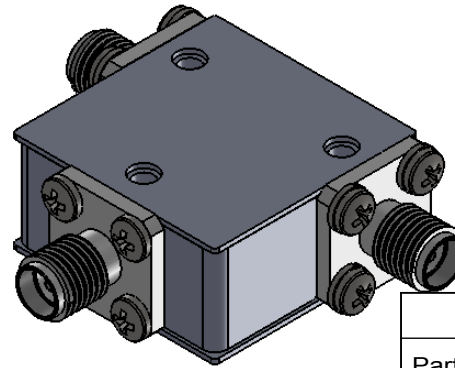
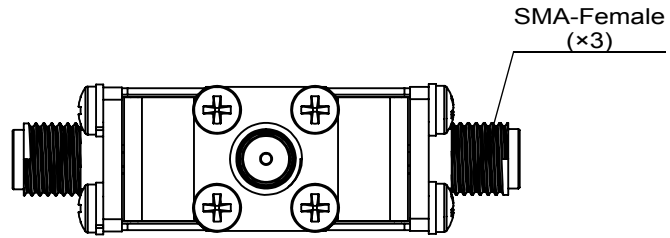
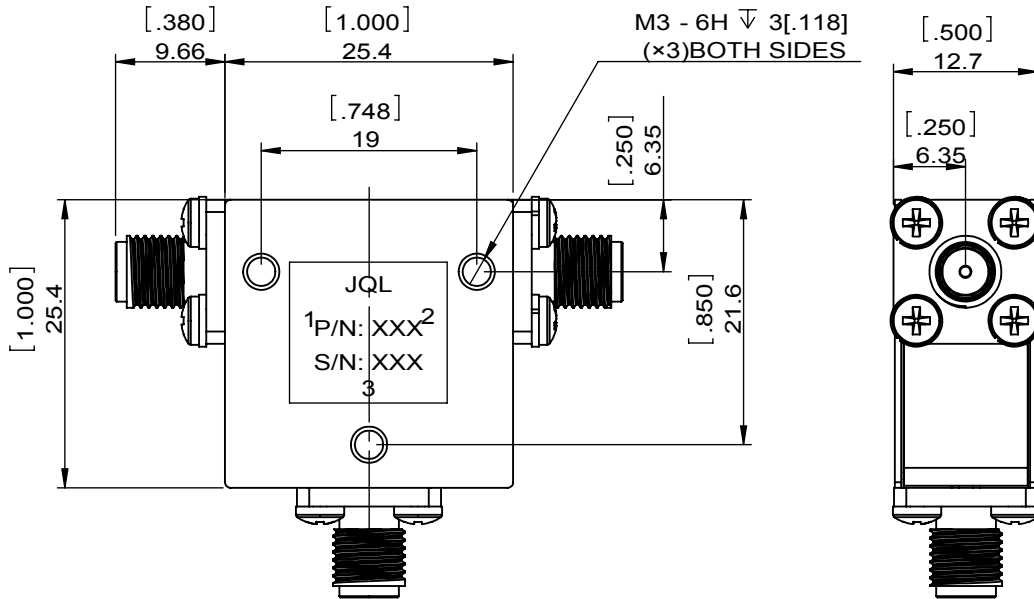


1	2
Document No.	QR4-700-T-003
REV.	A/0

3	4	5	6	
REV.	DESCRIPTION	REVISOR	DATE	APPROVED
0		ZC.Wu	06.10.2015	David
1	Changed spec.	ZC.Wu	08.05.2015	David



SPECIFICATIONS	
Part's Number	JCC4000T8000S1R-ASS
Frequency(GHz)	4.000~8.000
Direction	-
Insertion Loss(dB)MAX	0.40
Isolation(dB)MIN	20.0
Return Loss(dB)MIN	19.0
3rd IMD(dBc)MAX	-
Power FWD/REV/PK(Watt)	30/2/50
Operating Temperature(°C)	-10~+60
Storage Temperature(°C)	-55~+125
2nd/3rd Harmonic(dBc)	-
Termination/Attenuator(Watt/dB)	-
Tab(W×LG×THK)(mm[Inch])	-
Additional Notes	-



This document is the property of JQL Electronic Inc. It cannot be copied, duplicated, used for manufacturing purposes or communicated to third party as a whole or partly, without the written consent of JQL Electronic Inc.

JQL JQL Electronic Inc					
MATERIAL: STEEL		DWG NO: JCC4000T8000S1R-ASS			
SURFACE TREATMENT: NICKEL PLATTING		DWG BY:	ZC.Wu	06.10.2015	SCALE
DESCRIPTION: COAXIAL CIRCULATOR		CHK'D BY:			
		APPV'D BY:			3:2
		Unit: mm[inch]	Tolerance: Liner: ±0.25 Anguar: ±0.5°	The First:	A4