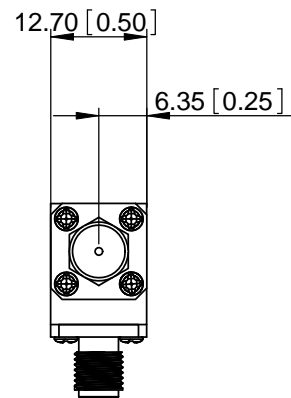
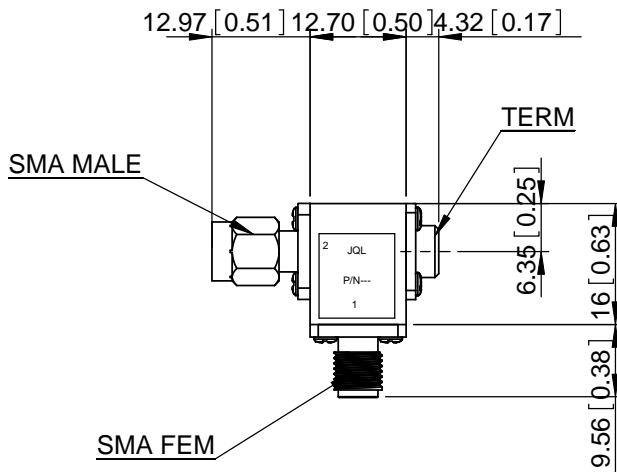
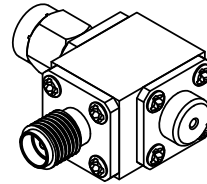
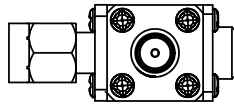


Stock Number

REV.	DESCRIPTION	REVISOR	DATE	APPROVE
0		LS	08.31.11	CH

SPECIFICATION

Part's Number: JCC7400T7800RTFS0C
 Frequency: 7.4~7.8 GHz
 Direction: CCW
 Insertion Loss: 0.35TYP/0.4dB MAX.
 Isolation: 27TYP/23.0dB MIN.
 Return Loss: 23TYP/22.0dB MIN.
 Temperature: -30°C~ +70°C



This document is the property of JQL Electronic Inc. It cannot be copied, duplicated, used for manufacturing purposes or communicated to third party as a whole or partly, without the written consent of JQL Electronic Inc.

JQL JQL Electronic Inc				
PACKAGE CODE:	DWG NO. JCC7400T7800RTFS0C			
SURFACE TREATMENT:				
DESCRIPTION: COAX ISOLATOR	NAME	DATE	SCALE:	
	DWG BY: LS	08.31.11	1:1	
	CHK'D BY: FW	08.31.11		
	APP'VD BY: CH	08.31.11		
Unit: mm	2 PLACE DECIMALS ± 0.56[.02"] 3 PLACE DECIMALS ± 0.203[.008"]	Type Of Projection	A4	

WEIGHT: