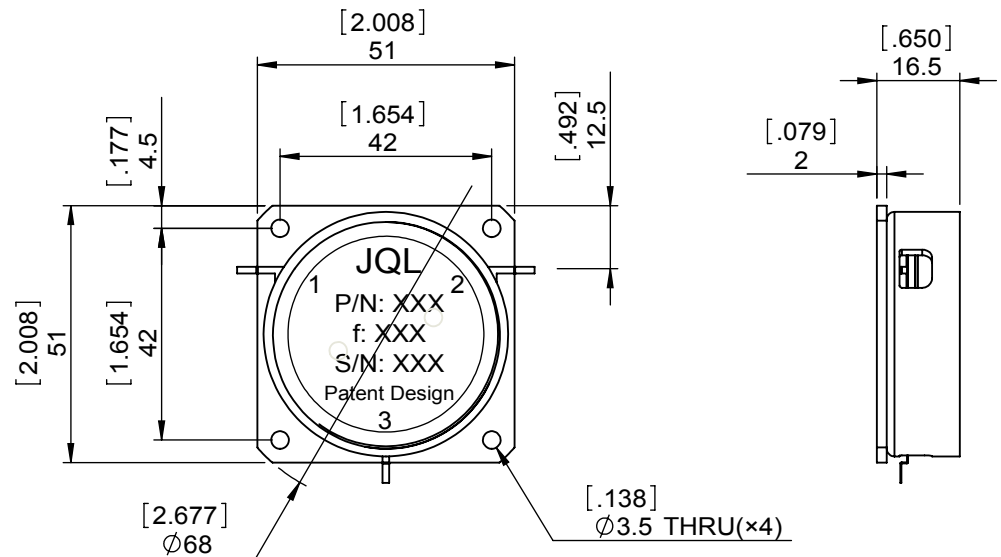
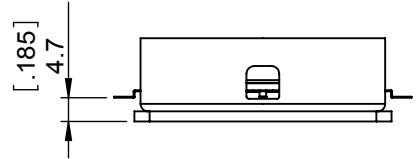
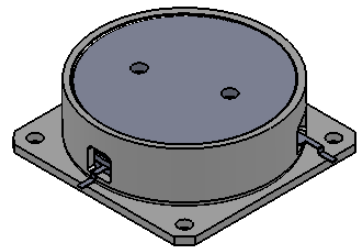


| | | | | | | | | | | | |
|--------------|---------------|------|-----|------|-------------|----------|------------|----------|--|---|--|
| 1 | | 2 | | 3 | | 4 | | 5 | | 6 | |
| Document No. | QR4-700-T-003 | REV. | A/0 | REV. | DESCRIPTION | REVISOR | DATE | APPROVED | | | |
| | | 0 | | | | LJ.Zhang | 01.15.2014 | David | | | |



| SPECIFICATIONS | |
|---------------------------------|-----------------------------|
| Part's Number | JCD0380T0450UM5 |
| Frequency(GHz) | 0.380~0.450 |
| Direction | CW |
| Insertion Loss(dB)MAX | 0.80 |
| Isolation(dB)MIN | 18.0 |
| Return Loss(dB)MIN | 18.0 |
| 3rd IMD(dBc)MAX | - |
| Power FWD/REV/PK(Watt) | 50/50/- |
| Operating Temperature(°C) | -20~+60 |
| Storage Temperature(°C) | - |
| 2nd/3rd Harmonic(dBc) | - |
| Termination/Attenuator(Watt/dB) | - |
| Tab(W×LG×THK)(mm[Inch]) | 1.27[.05]×4[.157]×0.2[.008] |
| Additional Notes | - |

NOTES:
 1.STANDARD INPUT/OUTPUT 50OHM IMPEDANCE
 2.S-PARAMETERS TO BE MEASURED BY CONECTING PORT 1 AND PORT 2 TO VNA, PORT 3 TO LOAD
 3.LOAD RETURN LOSS IS 30dB OR HIGHER WHEN TUNING



This document is the property of JQL Electronic Inc. It cannot be copied, duplicated, used for manufacturing purposes or communicated to third party as a whole or partly, without the written consent of JQL Electronic Inc.

JQL JQL Electronic Inc 500 Lake Cook Road, Suite 350 Deerfield, IL 60015, USA Tel: 1(888)236-9828 Fax: 1(888)823-2902

| | | | | |
|---|-----------------------------------|---|------------|-------|
| MATERIAL: STEEL | DWG NO: JCD0380T0450UM5 | | | |
| SURFACE TREATMENT: NICKEL PLATING | DWG BY: | LJ.Zhang | 01.15.2014 | SACLE |
| | CHK'D BY: | | | |
| DESCRIPTION: DROP-IN CIRCULATOR | APPV'D BY: | | | 2:3 |
| | Unit: mm[inch] | Tolerance: Liner: ±0.25 Anguar: ±0.5° | The First: | A4 |
| | | | | |