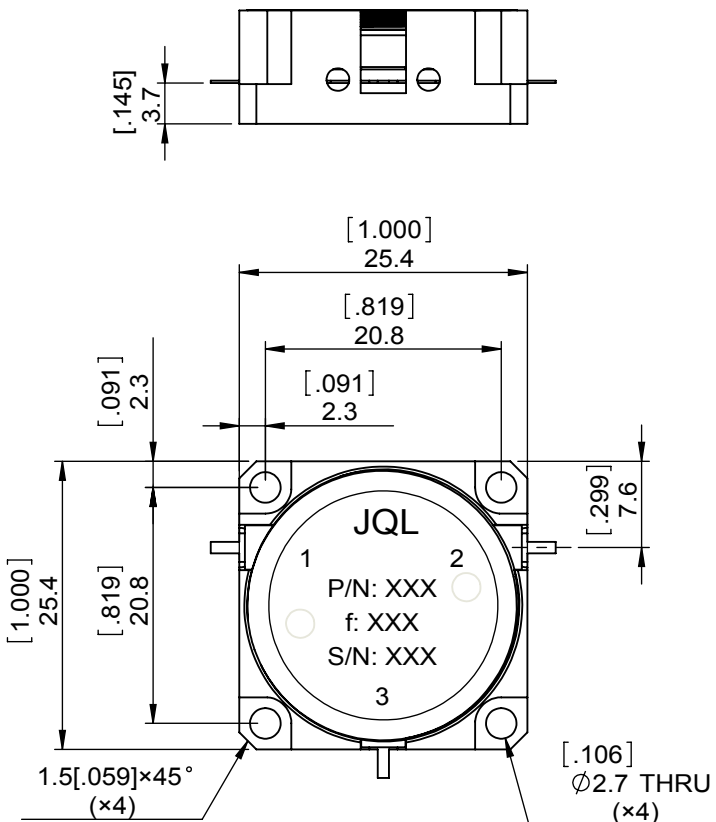
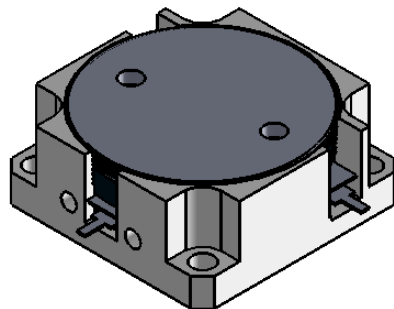


1		2		3		4		5		6	
Document No.	QR4-700-T-003	REV.	A/0	REV.	DESCRIPTION	REVISOR	DATE	APPROVED			
				0		LJ.Zhang	04.06.2014	David			



SPECIFICATIONS	
Part's Number	JCD0978T1082M30
Frequency(GHz)	0.978~1.082
Direction	CW
Insertion Loss(dB)MAX	0.5
Isolation(dB)MIN	20.0
Return Loss(dB)MIN	19.0
3rd IMD(dBc)MAX	
Power FWD/REV/PK(Watt)	300/300/1000
Operating Temperature(°C)	-54~+95
Storage Temperature(°C)	-55~+95
2nd/3rd Harmonic(dBc)	-
Termination/Attenuator(Watt/dB)	-
Tab(W×LG×THK)(mm[Inch])	1.0[.0394]×2.5[.098]×0.2[.008]-
Additional Notes	-

- NOTES:
- STANDARD INPUT/OUTPUT 50OHM IMPEDANCE
 - BE0 FREE, LEAD FREE, NO Nd MATERIAL
 - RoHS COMPLIANT
 - S-PARAMETERS TO BE MEASURED BY CONNECTING PORT 1 AND PORT 2 TO VNA, PORT 3 TO LOAD
 - LOAD RETURN LOSS IS 30dB OR HIGHER WHEN TUNING



This document is the property of JQL Electronic Inc. It cannot be copied, duplicated, used for manufacturing purposes or communicated to third party as a whole or partly, without the written consent of JQL Electronic Inc.

JQL JQL Electronic Inc		500 Lake Cook Road, Suite 350 Deerfield, IL 60015, USA		Tel: 1(888)236-9828 Fax: 1(888)823-2902	
MATERIAL: STEEL		DWG NO: JCD0978T1082M30			
SURFACE TREATMENT: NICKEL PLATING		DWG BY:	LJ.Zhang	02.27.2014	SACLE
DESCRIPTION: DROP-IN CIRCULATOR		CHK'D BY:			
		APP'VD BY:			3:2
		Unit: mm[inch]	Tolerance: Liner: ±0.25 Anguar: ±0.5°	The First:	A4