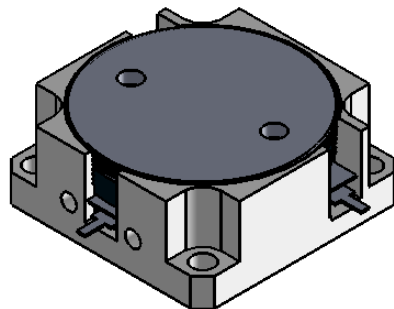
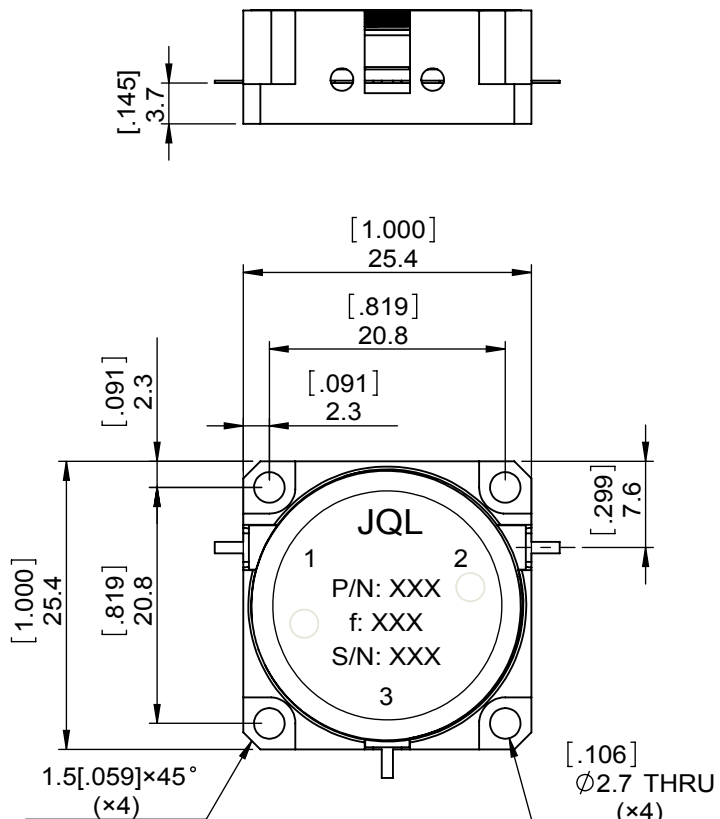


1		2		3		4		5		6	
Document No.	QR4-700-T-003	REV.	A/0	REV.	DESCRIPTION	REVISOR	DATE	APPROVED			
				0		LJ.Zhang	04.06.2014	David			



SPECIFICATIONS	
Part's Number	JCD1080T1100M10
Frequency(GHz)	1.080~1.100
Direction	CW
Insertion Loss(dB)MAX	0.3
Isolation(dB)MIN	22.0
Return Loss(dB)MIN	20.0
3rd IMD(dBc)MAX	
Power FWD/REV/PK(Watt)	100/100/800
Operating Temperature(°C)	-55~+80
Storage Temperature(°C)	-55~+95
2nd/3rd Harmonic(dBc)	-
Termination/Attenuator(Watt/dB)	-
Tab(W×LG×THK)(mm[Inch])	1.0[.0394]×2.5[.098]×0.2[.008]-
Additional Notes	-



- NOTES:**
- STANDARD INPUT/OUTPUT 50OHM IMPEDANCE
 - BE0 FREE, LEAD FREE, NO Nd MATERIAL
 - RoHS COMPLIANT
 - S-PARAMETERS TO BE MEASURED BY CONNECTING PORT 1 AND PORT 2 TO VNA, PORT 3 TO LOAD
 - LOAD RETURN LOSS IS 30dB OR HIGHER WHEN TUNING



This document is the property of JQL Electronic Inc. It cannot be copied, duplicated, used for manufacturing purposes or communicated to third party as a whole or partly, without the written consent of JQL Electronic Inc.

JQL JQL Electronic Inc 500 Lake Cook Road, Suite 350 Deerfield, IL 60015, USA Tel: 1(888)236-9828 Fax: 1(888)823-2902

MATERIAL: STEEL	DWG NO: JCD1080T1100M10			
SURFACE TREATMENT: NICKEL PLATING	DWG BY:	LJ.Zhang	02.27.2014	SACLE
	CHK'D BY:			
DESCRIPTION: DROP-IN CIRCULATOR	APP'VD BY:			3:2
	Unit:	Tolerance:	The First:	A4
	mm[inch]	Liner: ±0.25 Anguar: ±0.5°		