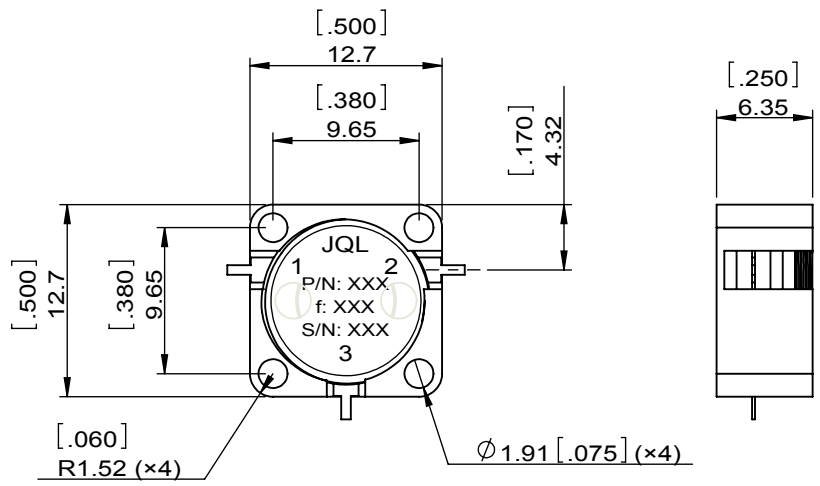
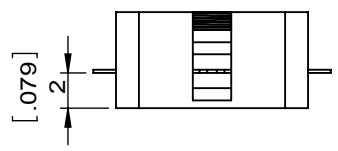
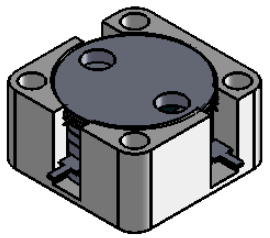


|              |  |               |  |      |  |     |  |      |             |          |            |          |
|--------------|--|---------------|--|------|--|-----|--|------|-------------|----------|------------|----------|
| 1            |  | 2             |  | 3    |  | 4   |  | 5    |             | 6        |            |          |
| Document No. |  | QR4-700-T-003 |  | REV. |  | A/0 |  | REV. | DESCRIPTION | REVISOR  | DATE       | APPROVED |
|              |  |               |  |      |  |     |  | 0    |             | LJ.Zhang | 05.30.2014 | David    |



| SPECIFICATIONS                  |                                |
|---------------------------------|--------------------------------|
| Part's Number                   | JCD14K7T15K4VM3                |
| Frequency(GHz)                  | 14.70~15.40                    |
| Direction                       | CW                             |
| Insertion Loss(dB)MAX           | 0.50                           |
| Isolation(dB)MIN                | 20.0                           |
| Return Loss(dB)MIN              | 20.0                           |
| 3rd IMD(dBc)MAX                 | -                              |
| Power FWD/REV/PK(Watt)          | 30/30/-                        |
| Operating Temperature(°C)       | -30~+70                        |
| Storage Temperature(°C)         | -                              |
| 2nd/3rd Harmonic(dBc)           | -                              |
| Termination/Attenuator(Watt/dB) | -                              |
| Tab(W×LG×THK)(mm[Inch])         | 0.635[.025]×1.5[.06]×0.2[.008] |
| Additional Notes                | -                              |

|   |  |                                   |   |                |
|---|--|-----------------------------------|---|----------------|
| <b>JQL</b> JQL Electronic Inc               |  |                                   |   |                |
| <b>MATERIAL:</b><br>STEEL                   |  | <b>DWG NO:</b><br>JCD14K7T15K4VM3 |   |                |
| <b>SURFACE TREATMENT:</b><br>NICKEL PLATING |  | DWG BY:                           | LJ.Zhang                                    | 05.30.2014     |
| <b>DESCRIPTION:</b><br>DROP-IN CIRCULATOR   |  | CHK'D BY:                         |   | SACLE          |
|   |  | APPV'D BY:                        |   | 1:1            |
|   |  | Unit:<br>mm[inch]                 | Tolerance:<br>Liner: ±0.25<br>Anguar: ±0.5° | The First:<br> |
|   |  |                                   |   | A4             |



This document is the property of JQL Electronic Inc. It cannot be copied, duplicated, used for manufacturing purposes or communicated to third party as a whole or partly, without the written consent of JQL Electronic Inc.