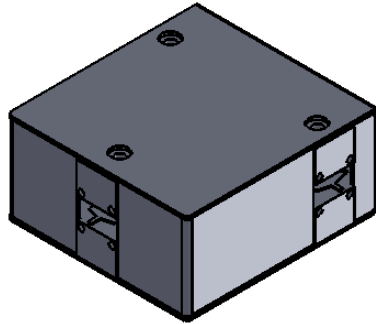
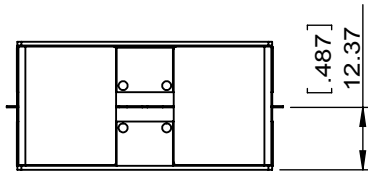
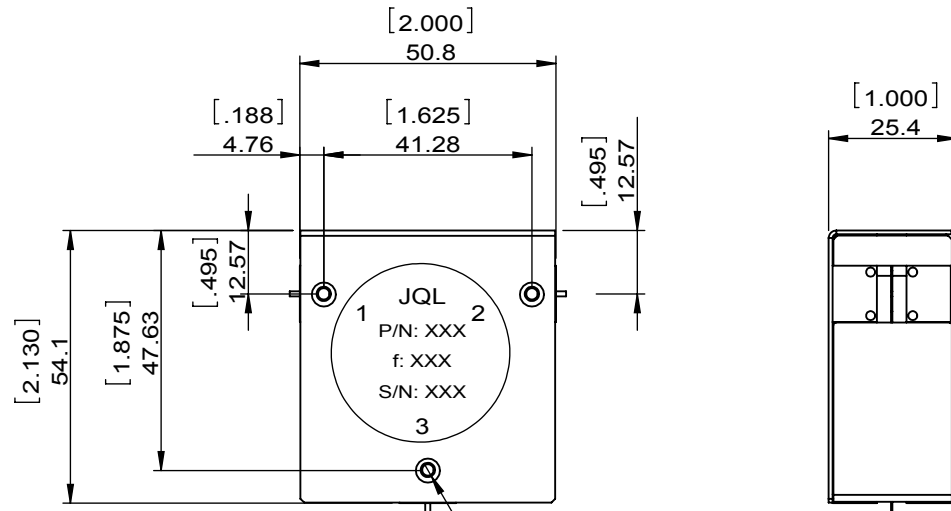


| | | | | | | | | | | | |
|--------------|---------------|------|-----|-------|-------------|------------|-------|----------|--|---|--|
| 1 | | 2 | | 3 | | 4 | | 5 | | 6 | |
| Document No. | QR4-700-T-003 | REV. | A/0 | REV. | DESCRIPTION | REVISOR | DATE | APPROVED | | | |
| | | 0 | | ZC.Wu | | 02.13.2015 | David | | | | |



| SPECIFICATIONS | |
|---------------------------------|-------------------------------|
| Part's Number | JCD1800T2700E10 |
| Frequency(GHz) | 1.800~2.700 |
| Direction | CW |
| Insertion Loss(dB)MAX | 0.60 |
| Isolation(dB)MIN | 17.0 |
| Return Loss(dB)MIN | 17.0 |
| 3rd IMD(dBc)MAX | - |
| Power FWD/REV/PK(Watt) | 100/100/- |
| Operating Temperature(°C) | -30~75 |
| Storage Temperature(°C) | - |
| 2nd/3rd Harmonic(dBc) | - |
| Termination/Attenuator(Watt/dB) | - |
| Tab(W×LG×THK)(mm[Inch]) | 1[.039]×2.0[.079]×0.254[.001] |
| Additional Notes | - |



4-40 UNC ∇ 6.35[.25]
BOTH SIDES (×3)



This document is the property of JQL Electronic Inc.
It cannot be copied, duplicated, used for manufacturing purposes
or communicated to third party as a whole or partly,
without the written consent of JQL Electronic Inc.

| | | | | |
|---|--|-----------------------------------|---|----------------|
| JQL JQL Electronic Inc | | | | |
| MATERIAL: STEEL | | DWG NO: JCD1800T2700E10 | | |
| SURFACE TREATMENT: NICKEL PLATING | | DWG BY: | ZC.Wu | 02.13.2015 |
| DESCRIPTION: DROP-IN CIRCULATOR | | CHK'D BY: | | SCALE |
| | | APP'V'D BY: | | 2:3 |
| | | Unit: mm[inch] | Tolerance: Liner: ±0.25 Anguar: ±0.5° | The First: |
| | | | | A4 |