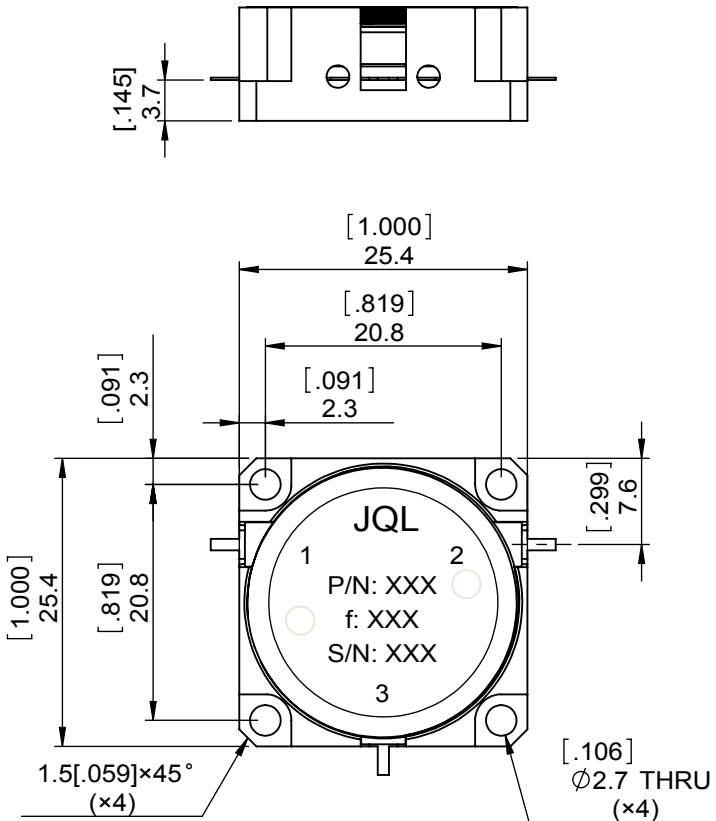
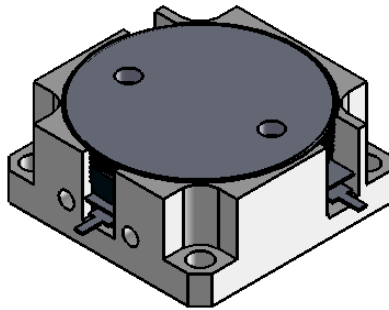


1		2		3		4		5		6	
Document No.	QR4-700-T-003	REV.	A/0	REV.	DESCRIPTION	REVISOR	DATE	APPROVED			
				0		LJ.Zhang	04.06.2014	David			



SPECIFICATIONS	
Part's Number	JCD1960T2170M6
Frequency(GHz)	1.960~2.170
Direction	CW
Insertion Loss(dB)MAX	0.3
Isolation(dB)MIN	21.0
Return Loss(dB)MIN	21.0
3rd IMD(dBc)MAX	
Power FWD/REV/PK(Watt)	60/60/-
Operating Temperature(°C)	-40~+85
Storage Temperature(°C)	-55~+70
2nd/3rd Harmonic(dBc)	-
Termination/Attenuator(Watt/dB)	-
Tab(W×LG×THK)(mm[Inch])	1.0[.0394]×2.5[.098]×0.2[.008]-
Additional Notes	-

**NOTES:**

- STANDARD INPUT/OUTPUT 50OHM IMPEDANCE
- BE0 FREE,LEAD FREE,NO Nd MATERIAL
- RoHS COMPLIANT
- S-PARAMETERS TO BE MEASURED BY CONECTING PORT 1 AND PORT 2 TO VNA, PORT 3 TO LOAD
- LOAD RETURN LOSS IS 30dB OR HIGHER WHEN TUNING



This document is the property of JQL Electronic Inc. It cannot be copied, duplicated, used for manufacturing purposes or communicated to third party as a whole or partly, without the written consent of JQL Electronic Inc.

<b>JQL</b> <b>JQL Electronic Inc</b>		500 Lake Cook Road, Suite 350 Deerfield, IL 60015, USA		Tel: 1(888)236-9828 Fax: 1(888)823-2902	
<b>MATERIAL:</b> STEEL		<b>DWG NO:</b> JCD1960T2170M6			
<b>SURFACE TREATMENT:</b> NICKEL PLAITNG		DWG BY:	LJ.Zhang	02.27.2014	SACLE
<b>DESCRIPTION:</b> DROP-IN CIRCULATOR		CHK'D BY:			
		APPV'D BY:			3:2
		Unit: mm[inch]	Tolerance: Liner: ±0.25 Anguar: ±0.5°	The First:	A4