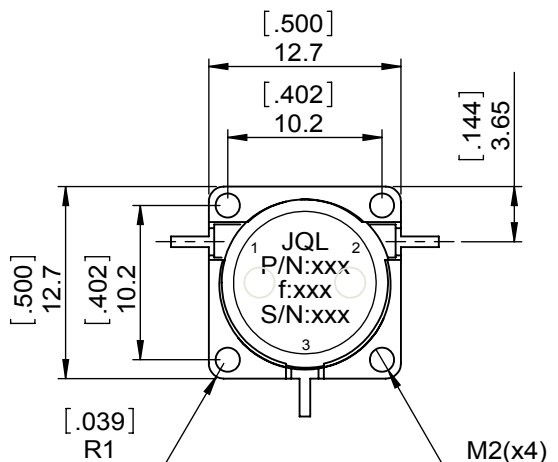
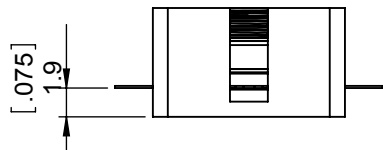
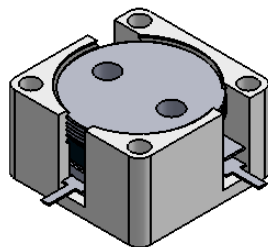


1		2		3		4		5		6	
Document No.	QR4-700-T-003					REV.	DESCRIPTION	REVISOR	DATE	APPROVED	
REV.	A/0					0		M.Hao	08.06.2013	David	



SPECIFICATIONS	
Part's Number	JCD2110T2170VM5
Frequency(GHz)	2.110~2.170
Direction	CW
Insertion Loss(dB)MAX	0.25
Isolation(dB)MIN	22.0
Return Loss(dB)MIN	22.0
3rd IMD(dBc)MAX	65@2x25W-
Power FWD/REV/PK(Watt)	50/50/-
Operating Temperature(°C)	-20~+80
Storage Temperature(°C)	-
2nd/3rd Harmonic(dBc)	-
Termination/Attenuator(Watt/dB)	
Tab(W×LG×THK)(mm[Inch])	0.7[.030]x2.5[.100]x0.15[.010]-
Additional Notes	-

**NOTES:**

- 1.STANDARD INPUT/OUTPUT 50OHM IMPEDANCE
- 2.BEO FREE,LEAD FREE,NO Nd MATERIAL
- 3.RoHS COMPLIANT
- 4.S-PARAMETERS TO BE MEASURED BYCONNECTING PORT 1 AND PORT 2 TO VNA,PORT 3 TO LOAD
- 5.LOAD RETURN LOSS IS 30dB OR HIGHER WHEN TUNING



This document is the property of JQL Electronic Inc. It cannot be copied, duplicated, used for manufacturing purposes or communicated to third party as a whole or partly, without the written consent of JQL Electronic Inc.

<b>JQL JQL Electronic Inc</b>		500 Lake Cook Road, Suite 350 Deerfield, IL 60015, USA		Tel: 1(888)236-9828 Fax: 1(888)823-2902	
<b>MATERIAL:</b> STEEL		<b>DWG NO:</b> JCD2110T2170VM5			
<b>SURFACE TREATMENT:</b> NICKEL PLATING		DWG BY:	M.Hao	08.06.2013	SACLE
<b>DESCRIPTION:</b> DROP IN CIRCULATOR		CHK'D BY:			
		APPV'D BY:			2:1
		Unit: mm[inch]	Tolerance: Liner: ±0.25 Anguar: ±0.5°	The First:	A4