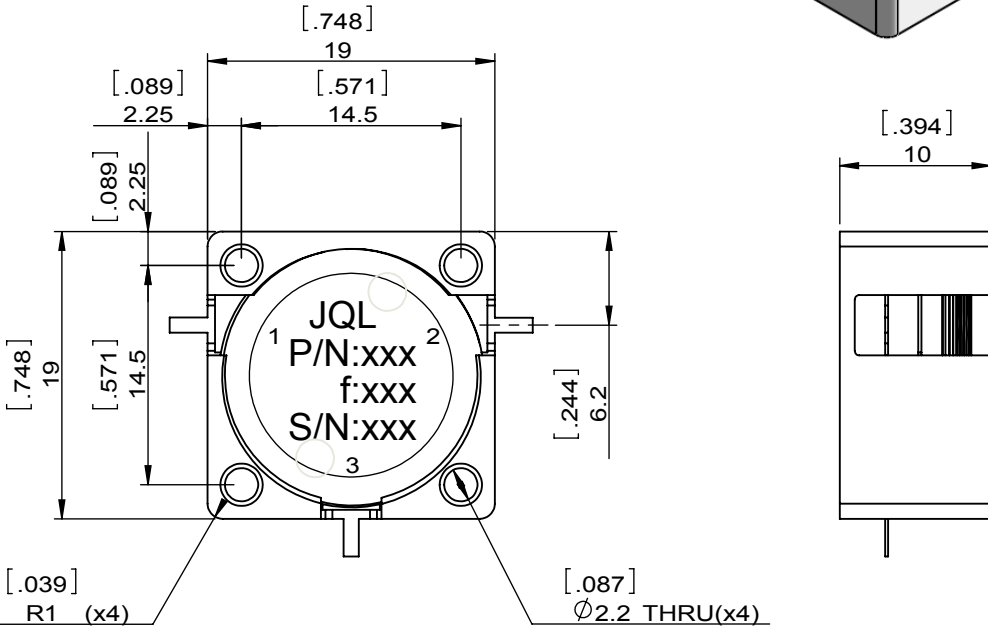
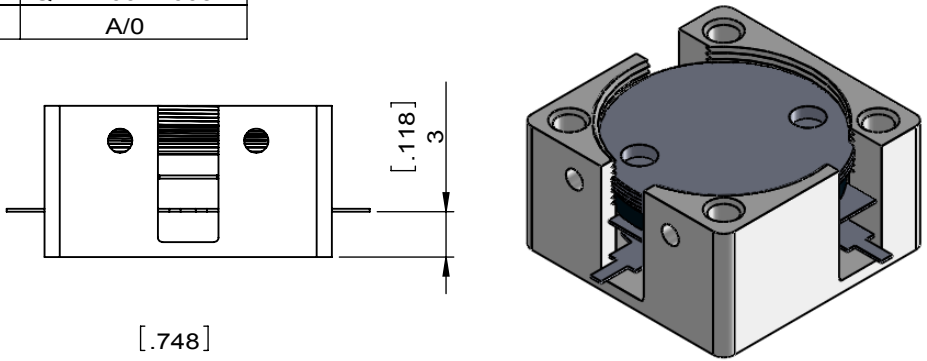


Document No.	QR4-700-T-003
REV.	A/0

REV.	DESCRIPTION	REVISOR	DATE	APPROVED
0		ZC.Wu	12.08.2014	David



SPECIFICATIONS	
Part's Number	JCD2400T2500SM20
Frequency(GHz)	2.400~2.500
Direction	CW
Insertion Loss(dB)MAX	0.25
Isolation(dB)MIN	20.0
Return Loss(dB)MIN	20.0
3rd IMD(dBc)MAX	-
Power FWD/REV/PK(Watt)	200/200/-
Operating Temperature(°C)	-40~+85
Storage Temperature(°C)	-
2nd/3rd Harmonic(dBc)	-
Termination/Attenuator(Watt/dB)	
Tab(W×LG×THK)(mm[Inch])	1.0[0.039]x2.5[0.098]x0.15[0.006]
Additional Notes	Fill all the RTV to the ports

NOTES:
 1.STANDARD INPUT/OUTPUT 50OHM IMPEDANCE
 2.BEO FREE,LEAD FREE,NO Nd MATERIAL
 3.RoHS COMPLIANT
 4.S-PARAMETERS TO BE MEASURED BY CONECTING PORT 1 AND PORT 2 TO VNA, PORT 3 TO LOAD
 5.LOAD RETURN LOSS IS 30dB OR HIGHER WHEN TUNING



This document is the property of JQL Electronic Inc. It cannot be copied, duplicated, used for manufacturing purposes or communicated to third party as a whole or partly, without the written consent of JQL Electronic Inc.

JQL JQL Electronic Inc				
MATERIAL: STEEL		DWG NO: JCD2400T2500SM20		
SURFACE TREATMENT: NICKEL PLATING		DWG BY:	ZC.Wu	12.08.2014
DESCRIPTION: DROP-IN CIRCULATOR		CHK'D BY:		
		APPV'D BY:		
Unit: mm[inch]	Tolerance: Liner: ±0.25 Anguar: ±0.5°	The First:		