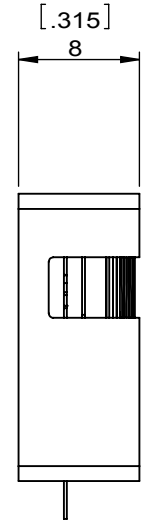
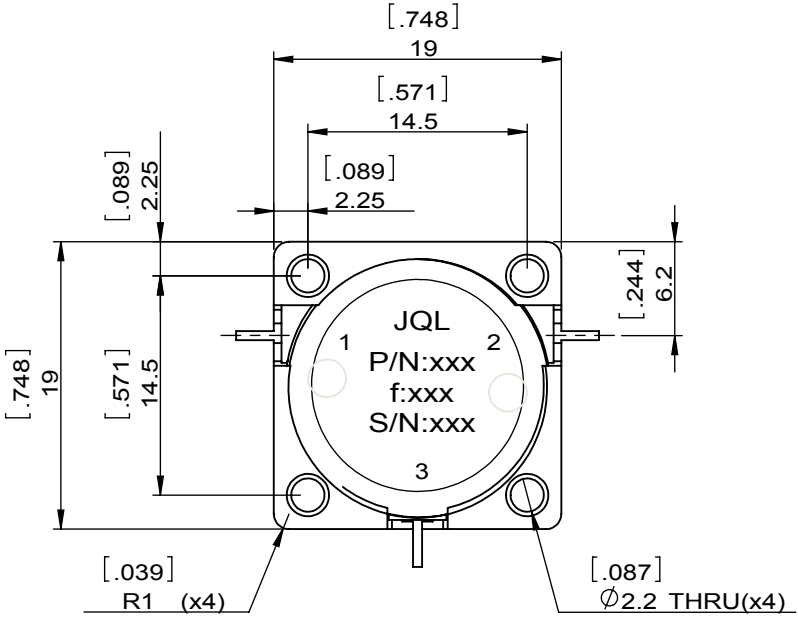
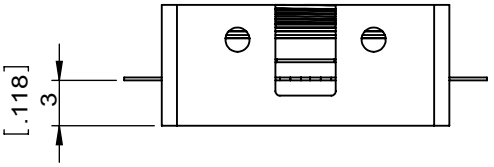
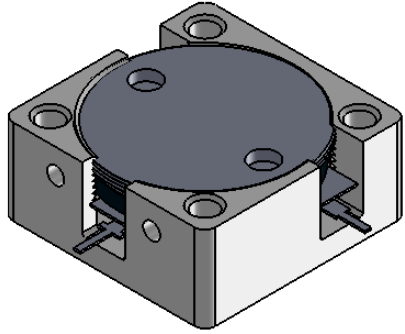


1		2		3		4		5		6			
Document No.	QR4-700-T-003	REV.	A/0	REV.	DESCRIPTION	REVISOR	DATE	APPROVED	0		ZC.Wu	07.03.2014	David



SPECIFICATIONS	
Part's Number	JCD2900T3500SM15
Frequency(GHz)	2.900~3.500
Direction	CW
Insertion Loss(dB)MAX	0.4
Isolation(dB)MIN	18.0
Return Loss(dB)MIN	18.0
3rd IMD(dBc)MAX	-
Power FWD/REV/PK(Watt)	150/-/-
Operating Temperature(°C)	-40~85
Storage Temperature(°C)	-55~+100
2nd/3rd Harmonic(dBc)	-30dBc@110w
Termination/Attenuator(Watt/dB)	-
Tab(W×LG×THK)(mm[Inch])	0.6[0.024]x2.5[0.098]x0.2[0.008]
Additional Notes	Impedance:50Ohms

JQL Electronic Inc 500 Lake Cook Road, Suite 350 Deerfield, IL 60015, USA Tel: 1(888)236-9828 Fax: 1(888)823-2902	
MATERIAL: STEEL	DWG NO: JCD2900T3500SM15
SURFACE TREATMENT: NICKEL PLATING	DWG BY: ZC.Wu CHK'D BY: APPV'D BY:
DESCRIPTION: DROP-IN CIRCULATOR	07.03.2014 SACLE Unit: mm[inch] Tolerance: Liner: ±0.25 Anguar: ±0.5°
	The First:
	2:1 A4

- NOTES:**
- 1.STANDARD INPUT/OUTPUT 50OHM IMPEDANCE
 - 2.BEO FREE,LEAD FREE,NO Nd MATERIAL
 - 3.RoHS COMPLIANT
 - 4.S-PARAMETERS TO BE MEASURED BY CONECTING PORT 1 AND PORT 2 TO VNA,PORT 3 TO LOAD
 - 5.LOAD RETURN LOSS IS 30dB OR HIGHER WHEN TUNING

This document is the property of JQL Electronic Inc.
 It cannot be copied, duplicated, used for manufacturing purposes
 or communicated to third party as a whole or partly,
 without the written consent of JQL Electronic Inc.