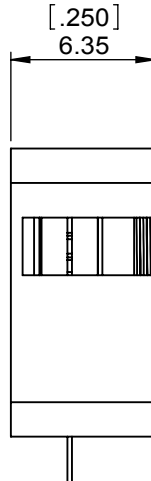
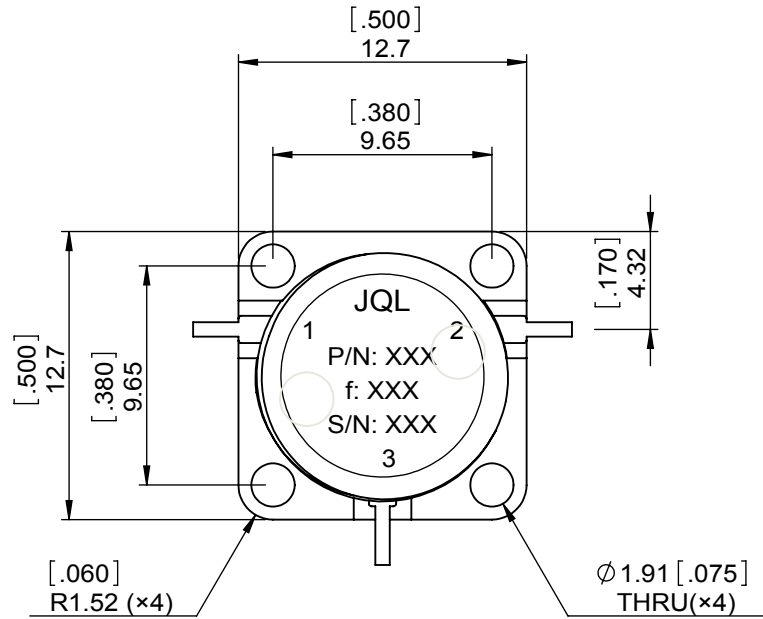
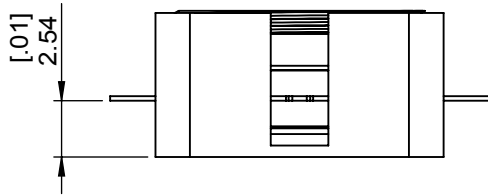
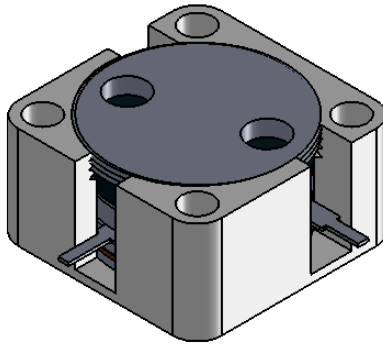


1		2		3		4		5		6		
Document No.	QR4-700-T-003							REV.	DESCRIPTION	REVISOR	DATE	APPROVED
REV.	A/0							0		LJ.Zhang	07.26.2013	David



SPECIFICATIONS	
Part's Number	JCD4080T4480VM1
Frequency(GHz)	4.080~4.480
Direction	CW
Insertion Loss(dB)MAX	0.30
Isolation(dB)MIN	23.0
Return Loss(dB)MIN	21.0
3rd IMD(dBc)MAX	-
Power FWD/REV/PK(Watt)	10/10/-
Operating Temperature(°C)	-40~+75
Storage Temperature(°C)	-
2nd/3rd Harmonic(dBc)	-
Termination/Attenuator(Watt/dB)	-
Tab(W×LG×THK)(mm[Inch])	.635[.03]×2.0[.078]×.20[.008]
Additional Notes	-

- NOTES:
- STANDARD INPUT/OUTPUT 50OHM IMPEDANCE
  - BEO FREE,LEAD FREE,NO Nd MATERIAL
  - RoHS COMPLIANT
  - S-PARAMETERS TO BE MEASURED BYCONNECTING PORT 1 AND PORT 2 TO VNA,PORT 3 TO LOAD
  - LOAD RETURN LOSS IS 30dB OR HIGHER WHEN TUNING



This document is the property of JQL Electronic Inc. It cannot be copied, duplicated, used for manufacturing purposes or communicated to third party as a whole or partly, without the written consent of JQL Electronic Inc.

<b>JQL</b> <b>JQL Electronic Inc</b>		500 Lake Cook Road, Suite 350 Deerfield, IL 60015, USA		Tel: 1(888)236-9828 Fax: 1(888)823-2902	
<b>MATERIAL:</b> STEEL		<b>DWG NO:</b> JCD4080T4480VM1			
<b>SURFACE TREATMENT:</b> NICKEL PLATING		DWG BY:	LJ.Zhang	07.26.2013	SACLE
<b>DESCRIPTION:</b> DROP-IN CIRCULATOR		CHK'D BY:			
		APPV'D BY:			3:1
		Unit: mm[inch]	Tolerance: Liner: ±0.25 Anguar: ±0.5°	The First:	A4