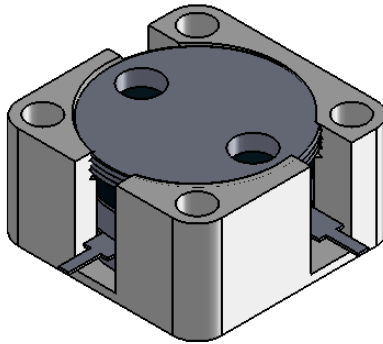
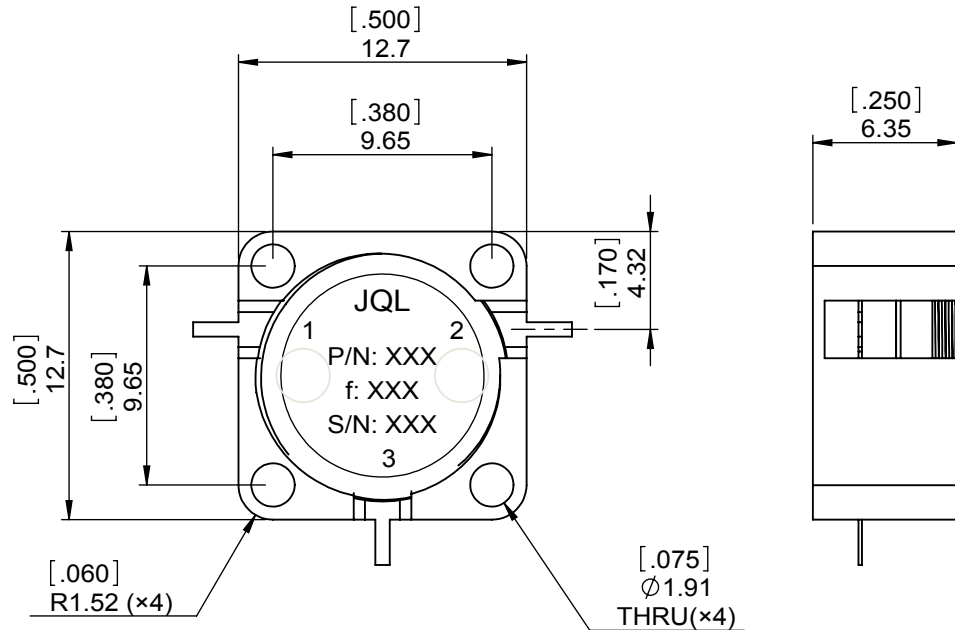


1		2		3		4		5		6	
Document No.	QR4-700-T-003	REV.	A/0	REV.	DESCRIPTION	REVISOR	DATE	APPROVED			
		0		M.Hao	08.12.2013	David					



SPECIFICATIONS	
Part's Number	JCD4090T4470VM0R
Frequency(GHz)	4.090~4.470
Direction	CW
Insertion Loss(dB)MAX	0.50
Isolation(dB)MIN	20.0
Return Loss(dB)MIN	21.0
3rd IMD(dBc)MAX	-
Power FWD/REV/PK(Watt)	10/10/-
Operating Temperature(°C)	-40~+85
Storage Temperature(°C)	-
2nd/3rd Harmonic(dBc)	-
Termination/Attenuator(Watt/dB)	-
Tab(W×LG×THK)(mm[Inch])	.635[.03]×2.0[.078]×.20[.008]
Additional Notes	-



- NOTES:
 1. STANDARD INPUT/OUTPUT 50OHM IMPEDANCE
 2. BEO FREE, LEAD FREE, NO Nd MATERIAL
 3. RoHS COMPLIANT
 4. S-PARAMETERS TO BE MEASURED BY CONNECTING PORT 1 AND PORT 2 TO VNA, PORT 3 TO LOAD
 5. LOAD RETURN LOSS IS 30dB OR HIGHER WHEN TUNING



This document is the property of JQL Electronic Inc. It cannot be copied, duplicated, used for manufacturing purposes or communicated to third party as a whole or partly, without the written consent of JQL Electronic Inc.

JQL JQL Electronic Inc		500 Lake Cook Road, Suite 350 Deerfield, IL 60015, USA		Tel: 1(888)236-9828 Fax: 1(888)823-2902	
MATERIAL: STEEL		DWG NO: JCD4090T4470VM0R			
SURFACE TREATMENT: NICKEL PLATING		DWG BY:	M.Hao	08.12.2013	SACLE
DESCRIPTION: DROP-IN CIRCULATOR		CHK'D BY:			
		APPV'D BY:			3:1
		Unit: mm[inch]	Tolerance: Liner: ±0.25 Anguar: ±0.5°	The First:	A4