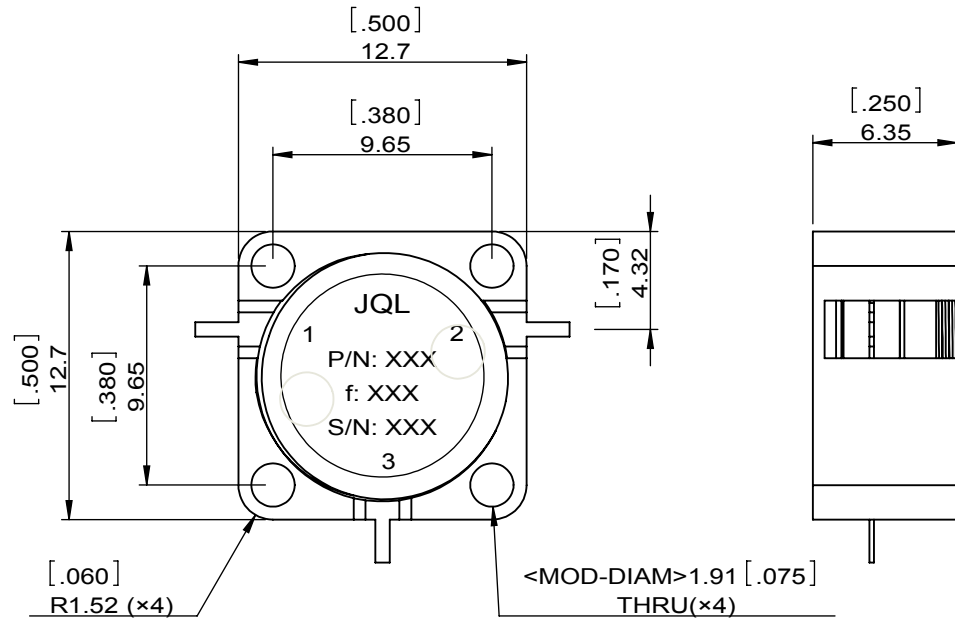
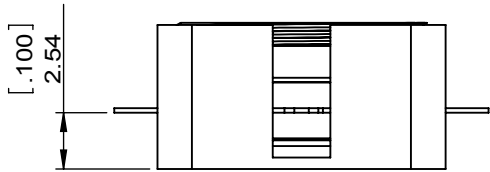
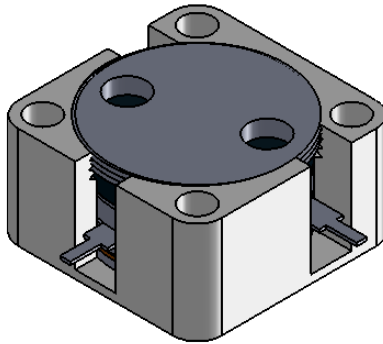


1		2		3		4		5		6	
Document No.	QR4-700-T-003	REV.	A/0	REV.	DESCRIPTION	REVISOR	DATE	APPROVED			
				0		ZC.Wu	05.07.2014	David			



SPECIFICATIONS	
Part's Number	JCD5200T6000VM0
Frequency(GHz)	5.200~6.000
Direction	CW
Insertion Loss(dB)MAX	0.40
Isolation(dB)MIN	20.0
Return Loss(dB)MIN	20.0
3rd IMD(dBc)MAX	-
Power FWD/REV/PK(Watt)	-/-/ 25w peak, 100us Pulse width, 25% duty cycle
Operating Temperature(°C)	-40~+80
Storage Temperature(°C)	-
2nd/3rd Harmonic(dBc)	-
Termination/Attenuator(Watt/dB)	-
Tab(W×LG×THK)(mm[Inch])	.635[.03]×2.0[.078]×.20[.008]
Additional Notes	-

NOTES:

- STANDARD INPUT/OUTPUT 50OHM IMPEDANCE
- BEO FREE,LEAD FREE,NO Nd MATERIAL
- RoHS COMPLIANT
- S-PARAMETERS TO BE MEASURED BYCONNECTING PORT 1 AND PORT 2 TO VNA,PORT 3 TO LOAD
- LOAD RETURN LOSS IS 30dB OR HIGHER WHEN TUNING



This document is the property of JQL Electronic Inc. It cannot be copied, duplicated, used for manufacturing purposes or communicated to third party as a whole or partly, without the written consent of JQL Electronic Inc.

JQL JQL Electronic Inc		500 Lake Cook Road, Suite 350 Deerfield, IL 60015, USA		Tel: 1(888)236-9828 Fax: 1(888)823-2902	
MATERIAL: STEEL	DWG NO: JCD5200T6000VM0				
SURFACE TREATMENT: NICKEL PLATING	DWG BY:	ZC.Wu	05.07.2014	SACLE	3:1
DESCRIPTION: DROP-IN CIRCULATOR	CHK'D BY:				
	APPV'D BY:				A4
	Unit: mm[inch]	Tolerance: Liner: 0.25 Anguar: 0.5	The First:		