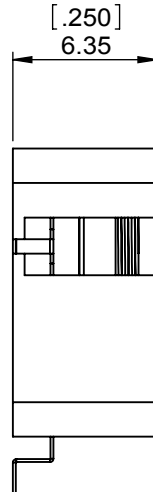
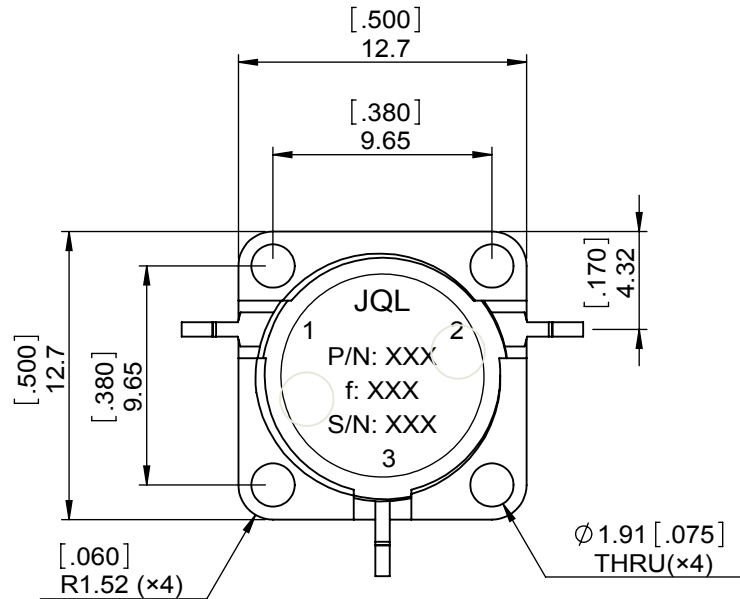
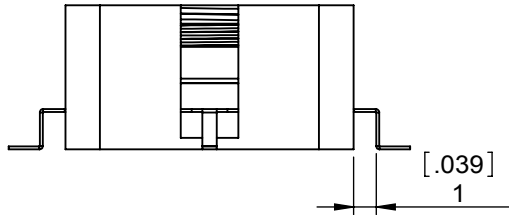
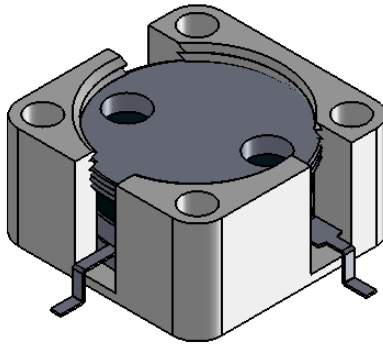


1		2		3		4		5		6	
Document No.	QR4-700-T-003					REV.	DESCRIPTION	REVISOR	DATE	APPROVED	
REV.	A/0					0		LJ.Zhang	01.27.2014	David	



SPECIFICATIONS	
Part's Number	JCD6000T6500VM1L
Frequency(GHz)	6.000~6.500
Direction	CW
Insertion Loss(dB)MAX	0.30
Isolation(dB)MIN	20.0
Return Loss(dB)MIN	20.0
3rd IMD(dBc)MAX	-
Power FWD/REV/PK(Watt)	10/10/-
Operating Temperature(°C)	-40~+85
Storage Temperature(°C)	-
2nd/3rd Harmonic(dBc)	-
Termination/Attenuator(Watt/dB)	-
Tab(W×LG×THK)(mm[Inch])	.635[.03]×2.5[.098]×.20[.008]
Additional Notes	-

**NOTES:**

- STANDARD INPUT/OUTPUT 50OHM IMPEDANCE
- BEO FREE,LEAD FREE,NO Nd MATERIAL
- RoHS COMPLIANT
- S-PARAMETERS TO BE MEASURED BYCONNECTING PORT 1 AND PORT 2 TO VNA,PORT 3 TO LOAD
- LOAD RETURN LOSS IS 30dB OR HIGHER WHEN TUNING



This document is the property of JQL Electronic Inc. It cannot be copied, duplicated, used for manufacturing purposes or communicated to third party as a whole or partly, without the written consent of JQL Electronic Inc.

<b>JQL</b>	<b>JQL Electronic Inc</b>	500 Lake Cook Road, Suite 350	Tel: 1(888)236-9828
		Deerfield, IL 60015, USA	Fax: 1(888)823-2902

<b>MATERIAL:</b> STEEL	<b>DWG NO:</b> JCD6000T6500VM1L		
<b>SURFACE TREATMENT:</b> NICKEL PLATING	DWG BY:	LJ.Zhang	01.27.2014
	CHK'D BY:		
<b>DESCRIPTION:</b> DROP-IN CIRCULATOR	APPV'D BY:		3:1
	Unit: mm[inch]	Tolerance: Liner: ±0.25 Anguar: ±0.5°	
			A4