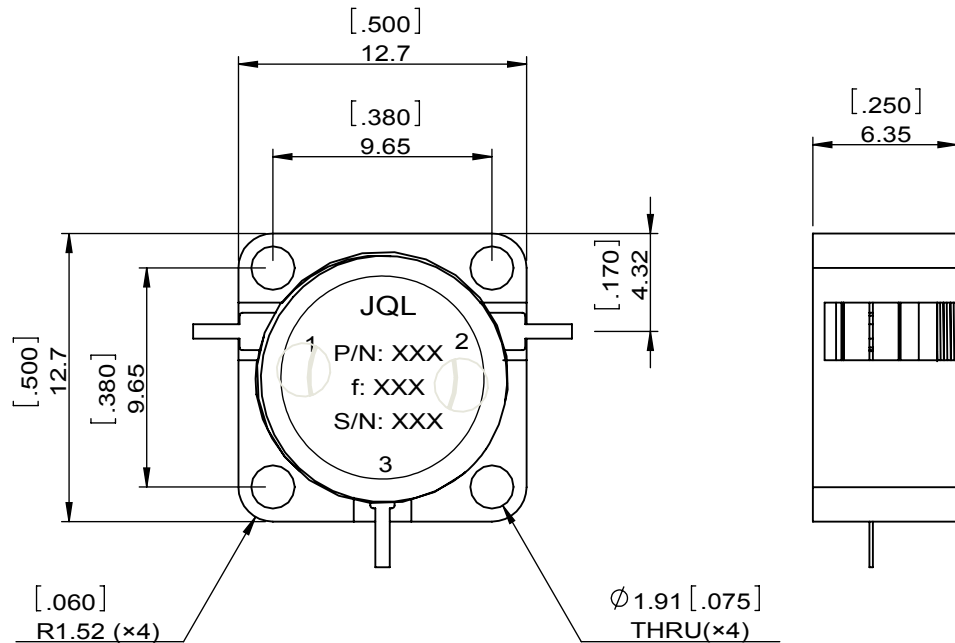
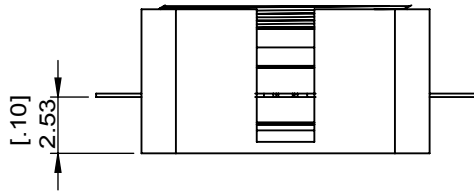
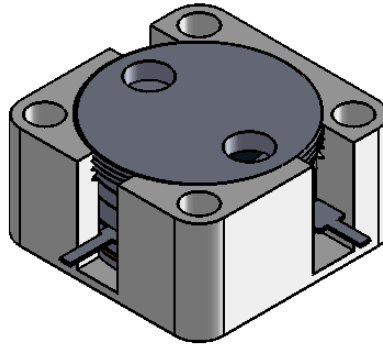


1	2
Document No.	QR4-700-T-003
REV.	A/0

4	5	6		
REV.	DESCRIPTION	REVISOR	DATE	APPROVED
0		ZC.Wu	01.15.2015	David



SPECIFICATIONS	
Part's Number	JCD8700T8900VM0
Frequency(GHz)	8.700~8.900
Direction	CW
Insertion Loss(dB)MAX	0.4
Isolation(dB)MIN	23.0
Return Loss(dB)MIN	21.0
3rd IMD(dBc)MAX	-
Power FWD/REV/PK(Watt)	1/1/-
Operating Temperature(°C)	-40~+85
Storage Temperature(°C)	-
2nd/3rd Harmonic(dBc)	-
Termination/Attenuator(Watt/dB)	-
Tab(W×LG×THK)(mm[Inch])	.635[.03]×2.0[.078]×.13[.005]
Additional Notes	-

- NOTES:
- 1.STANDARD INPUT/OUTPUT 50OHM IMPEDANCE
 - 2.BEO FREE,LEAD FREE,NO Nd MATERIAL
 - 3.RoHS COMPLIANT
 - 4.S-PARAMETERS TO BE MEASURED BYCONNECTING PORT 1 AND PORT 2 TO VNA,PORT 3 TO LOAD
 - 5.LOAD RETURN LOSS IS 30dB OR HIGHER WHEN TUNING



This document is the property of JQL Electronic Inc. It cannot be copied, duplicated, used for manufacturing purposes or communicated to third party as a whole or partly, without the written consent of JQL Electronic Inc.

JQL JQL Electronic Inc				
MATERIAL: STEEL		DWG NO: JCD8700T8900VM0		
SURFACE TREATMENT: NICKEL PLATING		DWG BY:	ZC.Wu	01.15.2015
DESCRIPTION: DROP-IN CIRCULATOR		CHK'D BY:		SCALE
		APPV'D BY:		3:1
Unit: mm[inch]		Tolerance: Liner: ±0.25 Anguar: ±0.5°	The First:	A4