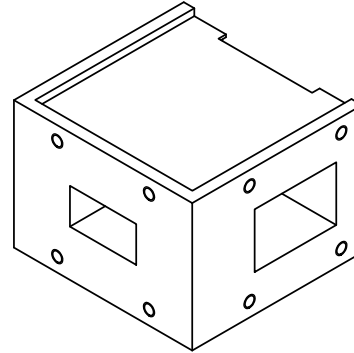
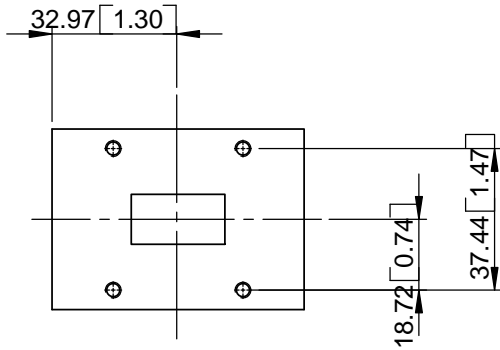


Stock Number

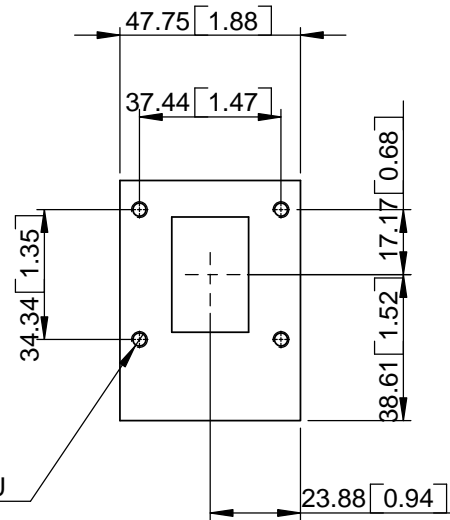
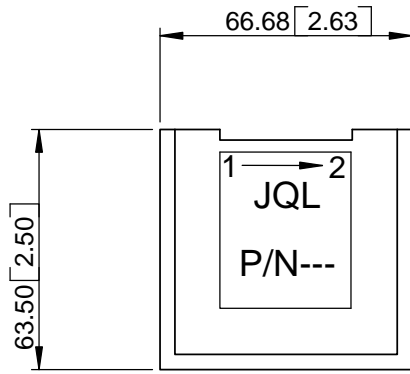
REV.	DESCRIPTION	REVISOR	DATE	APPROVE
0		XG	01.01.10	CH



**SPECIFICATION**

Part's Number: JCWR112-66-TBD  
 Frequency: 7.050 ~ 10.00 GHz  
 Up to 30% Bandwidth

Insertion Loss: 0.30 dB MAX.  
 Isolation: 23.0 dB MIN.  
 RL: 23.0 dB MIN.  
 PWR FWD/REV 100W/100W  
 TEMP: -20C~+80C



This document is the property of JQL Electronic Inc.  
 It cannot be copied, duplicated, used for manufacturing purposes  
 or communicated to third party as a whole or partly,  
 without the written consent of JQL Electronic Inc.

**JQL** JQL Electronic Inc 500 Lake Cook Road, Suite 350 Tel : 1(888)236-9828  
 Deerfield, IL 60015, USA Fax: 1(630)823-2902

MATERIAL:	DWG NO.		
SURFACE TREATMENT:	JCWR112-66-TBD		
DESCRIPTION:	NAME	DATE	SCALE:
	DWG BY: LS	08.25.11	1:1
	CHK'D BY: MH	08.25.11	
APPV'D BY: CH	08.25.11		
Unit: mm	2 PLACE DECIMALS: ± 0.51 3 Dimension between hole: ± 0.203 Angular: ±0.5°	Type Of Projection	A4

WEIGHT: