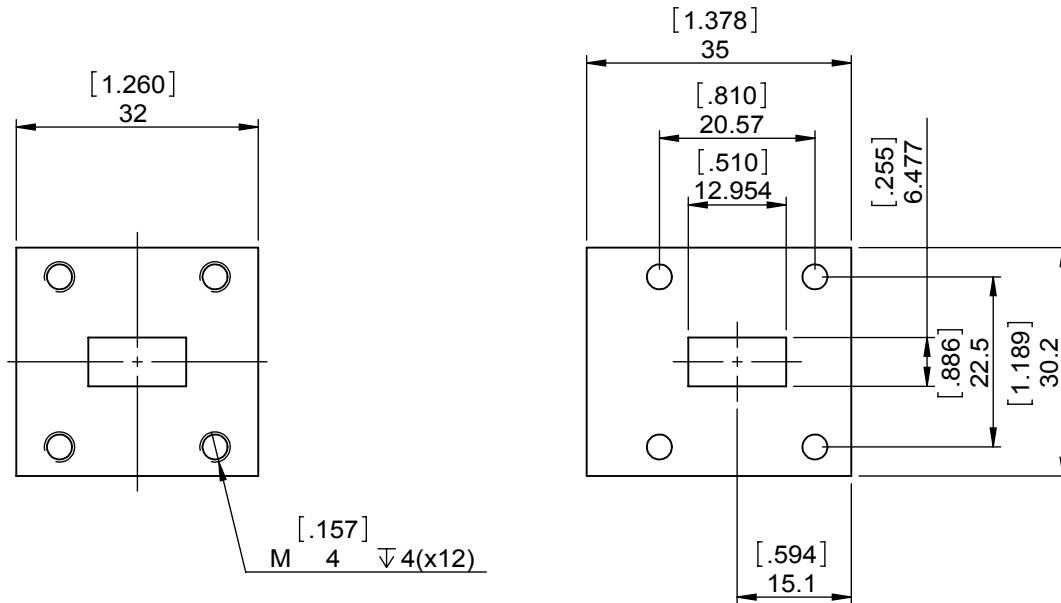
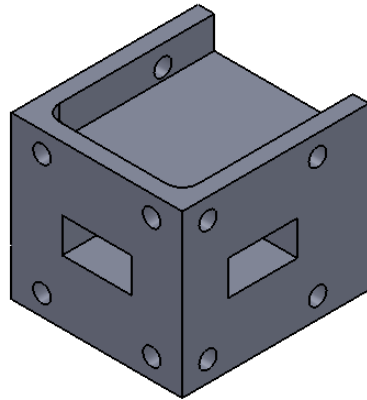
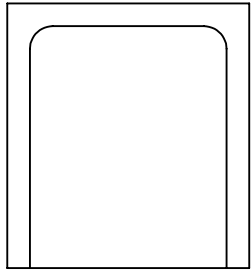


1		2		3		4		5		6	
Document No. QR4-700-T-003						REV. 0		DESCRIPTION		APPROVED David	
REV. A/0								REVISOR M.Hao		DATE 09.09.2013	



SPECIFICATIONS	
Part's Number	JCWR51-32-21K0T22K0
Frequency(GHz)	21.00~22.00
Direction	-
Insertion Loss(dB)MAX	0.40
Isolation(dB)MIN	21.0
Return Loss(dB)MIN	21.0
3rd IMD(dBc)MAX	-
Power FWD/REV/PK(Watt)	5/2/-
Operating Temperature(°C)	-40~+85
Storage Temperature(°C)	-
2nd/3rd Harmonic(dBc)	-
Termination/Attenuator(Watt/dB)	-
Tab(W×LG×THK)(mm[Inch])	-
Additional Notes	-

**JQL JQL Electronic Inc** 500 Lake Cook Road, Suite 350 Deerfield, IL 60015, USA Tel: 1(888)236-9828 Fax: 1(888)823-2902

<b>MATERIAL:</b> AL	<b>DWG NO:</b> JCWR51-32-21K0T22K0			
<b>SURFACE TREATMENT:</b> CHEM FILM	DWG BY:	M.Hao	09.09.2013	SACLE
	CHK'D BY:			
<b>DESCRIPTION:</b> WAVEGUIDE CIRCULATOR	APPV'D BY:			1:1
	Unit: mm[inch]	Tolerance: Liner: ±0.25 Anguar: ±0.5°	The First:	A4



This document is the property of JQL Electronic Inc. It cannot be copied, duplicated, used for manufacturing purposes or communicated to third party as a whole or partly, without the written consent of JQL Electronic Inc.