

REV.	DESCRIPTION	REVISOR	DATE	APPROVE

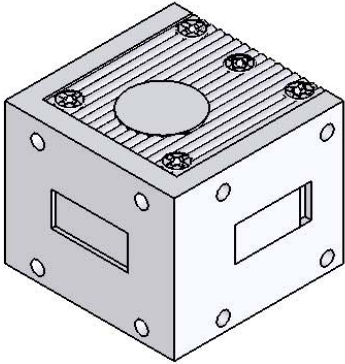
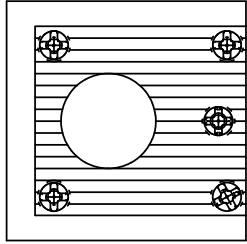
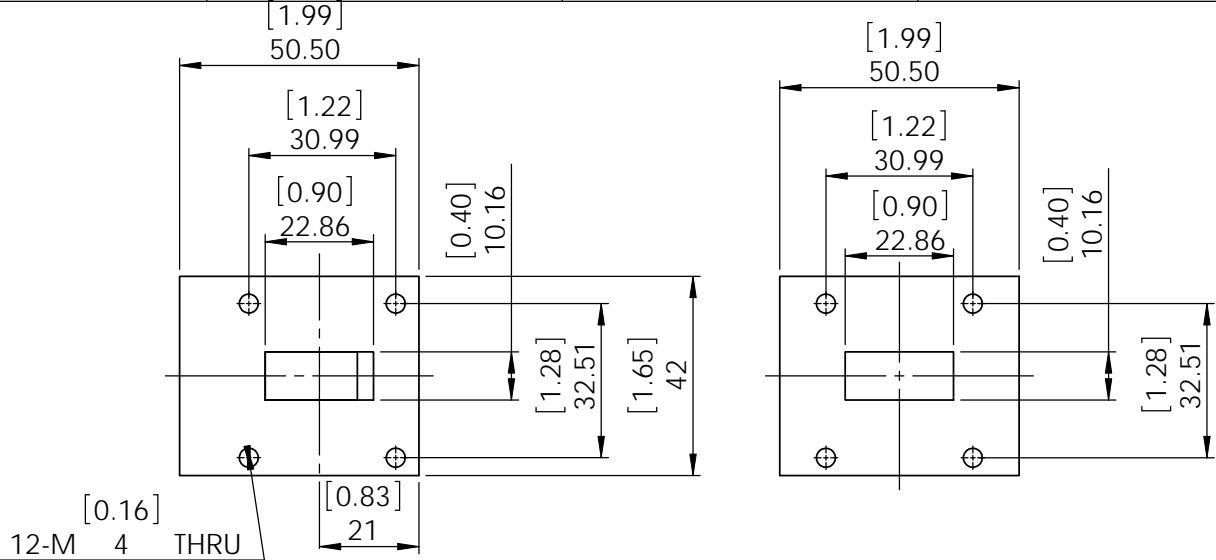
SPECIFICATIONS

P/N: JCWR90-HP-TBD
 FREQ: 8.000~12.00GHz
 Up To 20% Bandwidth

ISOLATION: 20dB MIN
 INS LOSS: 0.3dB MAX
 VSWR: 1.25:1 MAX

PWR PK/AVG: 1KW/100W
 TEMPERATURE -30C~+80C

OPERATING: -55C~+125C
 STORAGE:



This document is the property of JQL Electronic Inc.
 It cannot be copied, duplicated, used for manufacturing purposes
 or communicated to third party as a whole or partly,
 without the written consent of JQL Electronic Inc.

JQL JQL Electronic Inc 500 Lake Cook Road, Suite 350 Tel : 1(888)236-9828
 Deerfield, IL 60015, USA Fax: 1(630)823-2902

MATERIAL:
COPPER
 SURFACE TREATMENT:
SILVER PLATING
 DESCRIPTION:
WAVEGUIDE CIRCULATOR

DWG NO.
JCWR90-HP-TBD

NAME	DATE	SIGNATURE	REV:
DWG BY: SY			0
CHK'D BY: GC			
APPV'D BY: JZ			
TOLERANCE Liner: ±0.1mm Angular: ±0.5°		Q.A	A4