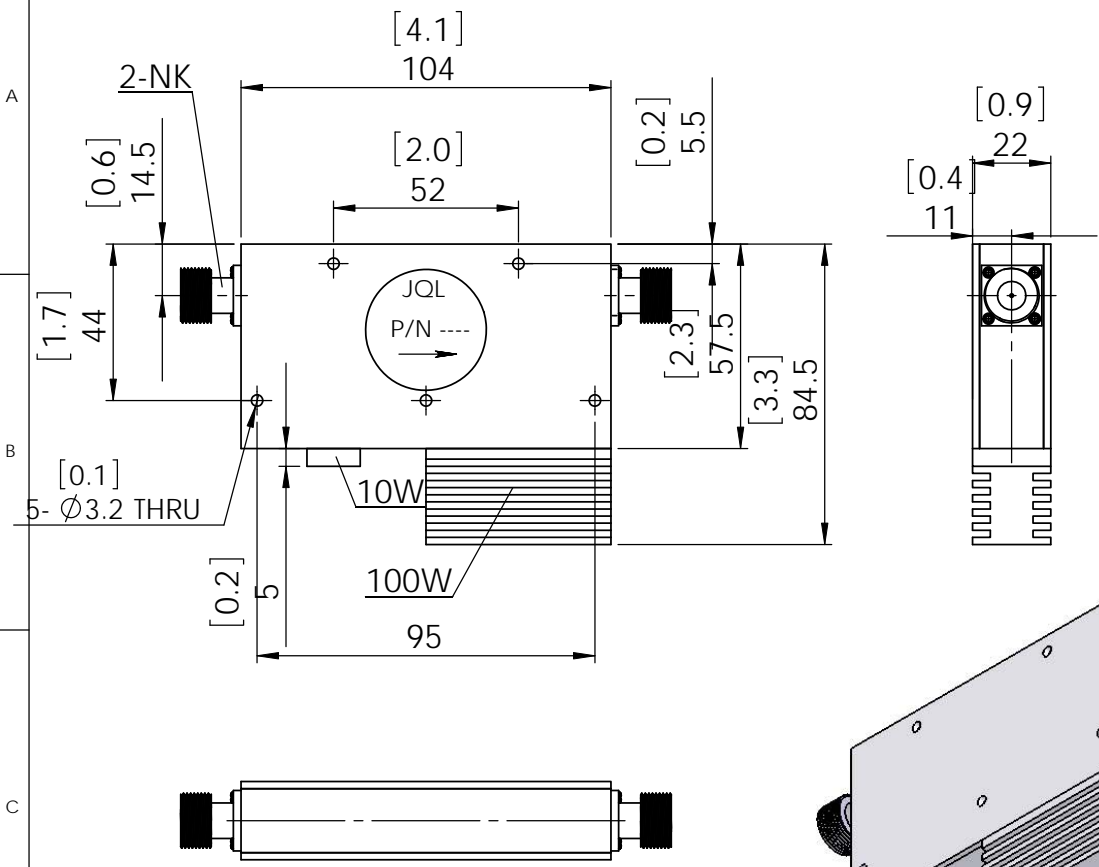


5		6		
REV.	DESCRIPTION	REVISOR	DATE	APPROVE



**SPECIFICATIONS**

P/N: JI2C0406T0430N3  
 FREQ: 0.406~0.430GHz

ISOLATION: 50dB MIN  
 INS LOSS: 0.5dB MAX  
 VSWR: 1.20:1 MAX  
 PWR FWD/REV: 250W/30W  
 TEMP: -20C~+60C  
 CONNECTOR: N-F  
 PORT 3: 100W TERMINATION WITH  
 PORT 4: 10W TERMINATION

This document is the property of JQL Electronic Inc.  
 It cannot be copied, duplicated, used for manufacturing purposes  
 or communicated to third party as a whole or partly,  
 without the written consent of JQL Electronic Inc.

CONNECTOR OPTION: N-F DEFAULT  
 N-M & SMA F/M ARE OPTIONAL  
 PLEASE SEE THE SPECS FOR DETAILS

**JQL** JQL Electronic Inc

MATERIAL: STEEL	DWG NO. JI2C0406T0430N3			
SURFACE TREATMENT: NICKEL PLATING	NAME	DATE	SIGNATURE	REV:
DESCRIPTION: COAX ISOLATOR	DWG BY:			0
	CHK'D BY:			
	APPV'D BY:			
	TOLERANCE Liner: ±0.1mm Angular: ±0.5°		Q.A	A4