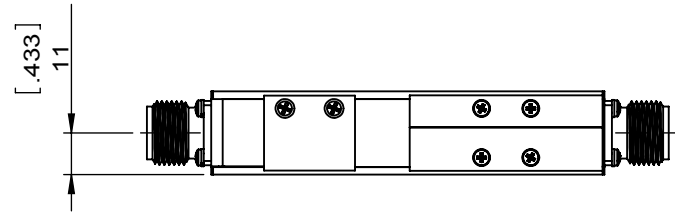
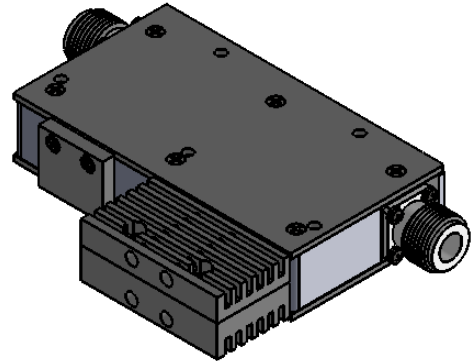
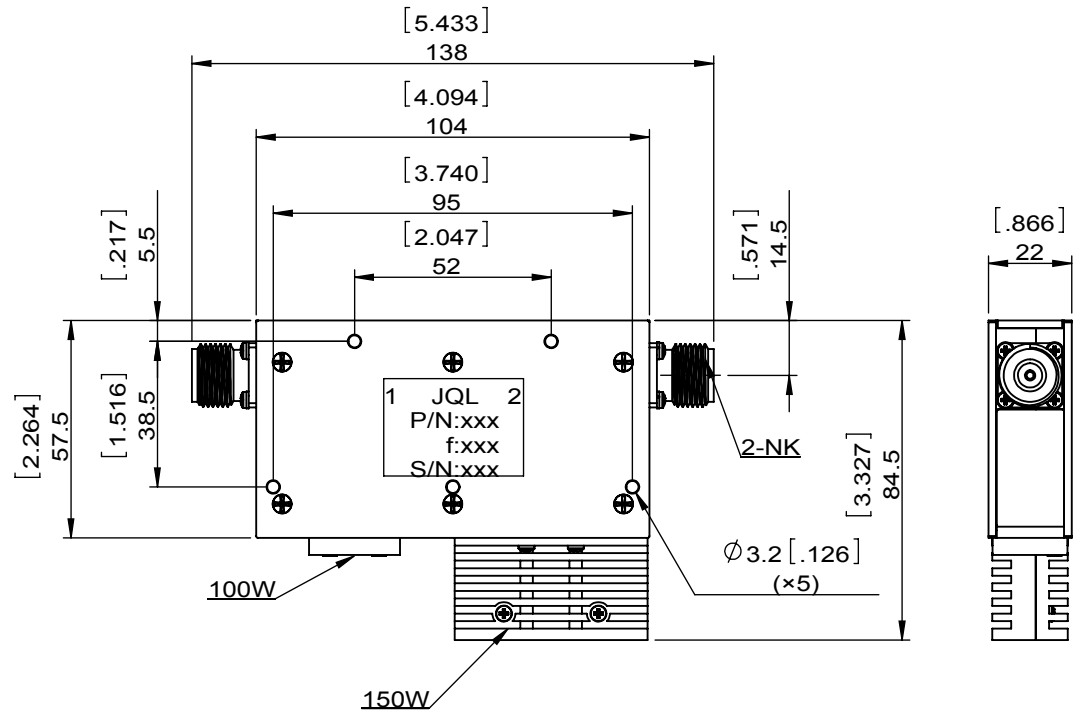


Document No. QR4-700-T-003
REV. A/0

REV.	DESCRIPTION	REVISOR	DATE	APPROVED
0		ZC.Wu	03.10.2015	David



SPECIFICATIONS	
Part's Number	J12C0480T0590N3
Frequency(GHz)	0.480~0.590
Direction	CW
Insertion Loss(dB)MAX	0.7
Isolation(dB)MIN	40
Return Loss(dB)MIN	20
3rd IMD(dBc)MAX	-
Power FWD/REV/PK(Watt)	50/50/-
Operating Temperature(°C)	-40~+85
Storage Temperature(°C)	-
2nd/3rd Harmonic(dBc)	-
Termination/Attenuator(Watt/dB)	150&100
Tab(W×LG×THK)(mm[Inch])	-
Additional Notes	



This document is the property of JQL Electronic Inc. It cannot be copied, duplicated, used for manufacturing purposes or communicated to third party as a whole or partly, without the written consent of JQL Electronic Inc.

JQL Electronic Inc				
MATERIAL: STEEL		DWG NO: J12C0480T0590N3		
SURFACE TREATMENT: NICKEL PLATING		DWG BY:	ZC.Wu	03.10.2015
DESCRIPTION: DUAL COAXIAL ISOLATOR		CHK'D BY:		SCALE
		APPV'D BY:		1:2
		Unit: mm[inch]	Tolerance: Liner: ±0.25 Anguar: ±0.5°	The First:
				A4