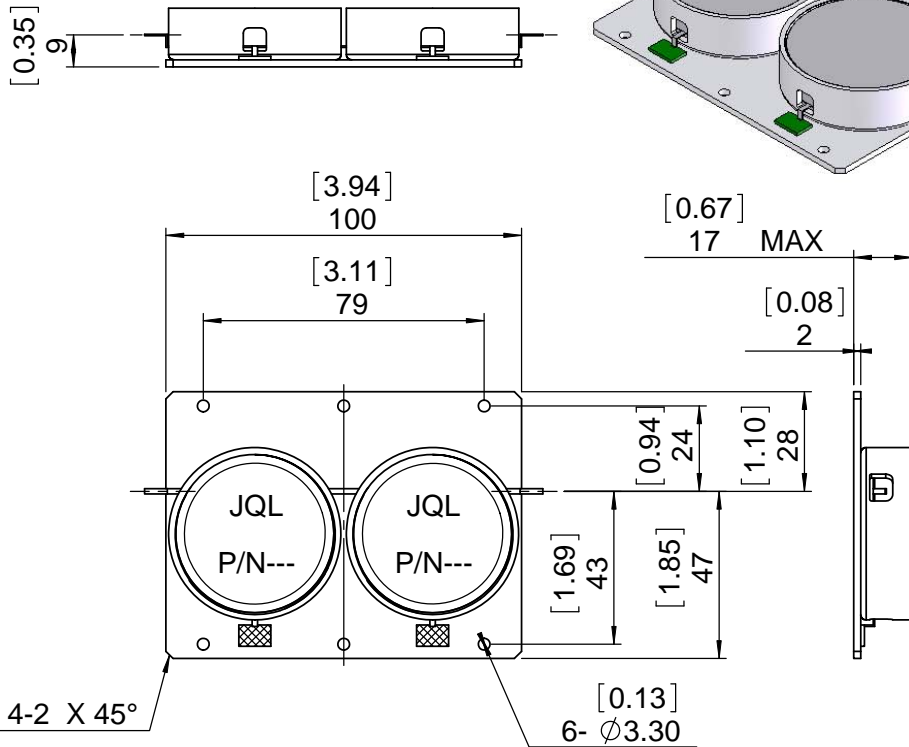


REV.	DESCRIPTION	REVISOR	DATE	APPROVE
0		MH	11.18.11	CH
1	Change the SPE.	MH	12.15.11	CH
2	Change the DIM.	MH	12.21.11	CH
3	Change the DWG NO.	MH	12.26.11	CH

SPECIFICATION

Part's Number: JI2D0410T0430UM8
 Frequency: 0.410 ~ 0.430 GHz
 Direction: CW
 Insertion Loss: 0.5dB MAX
 Isolation: 50 dB MIN
 RL: 21dBMIN
 Power FWD/REV 150W/80W
 Temperature: -20°C~ +80°C

BODY:STEEL,NICKEL PLATED
 TAB:BRASS,SILVER PLATED
 1.5W X 6LG X 0.25THK.



JQL JQL Electronic Inc		500 Lake Cook Road, Suite 350 Deerfield, IL 60015, USA		Tel : 1(888)236-9828 Fax: 1(630)823-2902	
MATERIAL: STEEL		DWG NO. JI2D0410T0430UM8			
SURFACE TREATMENT: NICKEL PLATING		NAME MH		DATE 12.15.11	
DESCRIPTION: DROP-IN ISOLATOR		CHK'D BY: FW		12.15.11	
		APPV'D BY: CH		12.15.11	
Unit: mm		TOLERANCE: Liner: ±0.1mm Angular: ±0.5°		Type Of Projection A4	

WEIGHT:

SHEET 1 OF 1