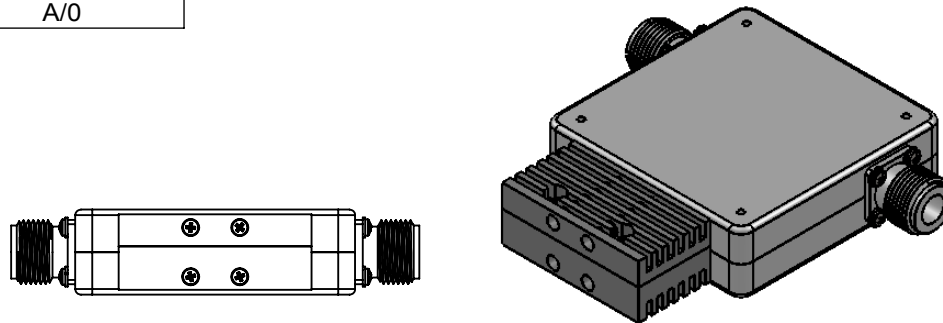
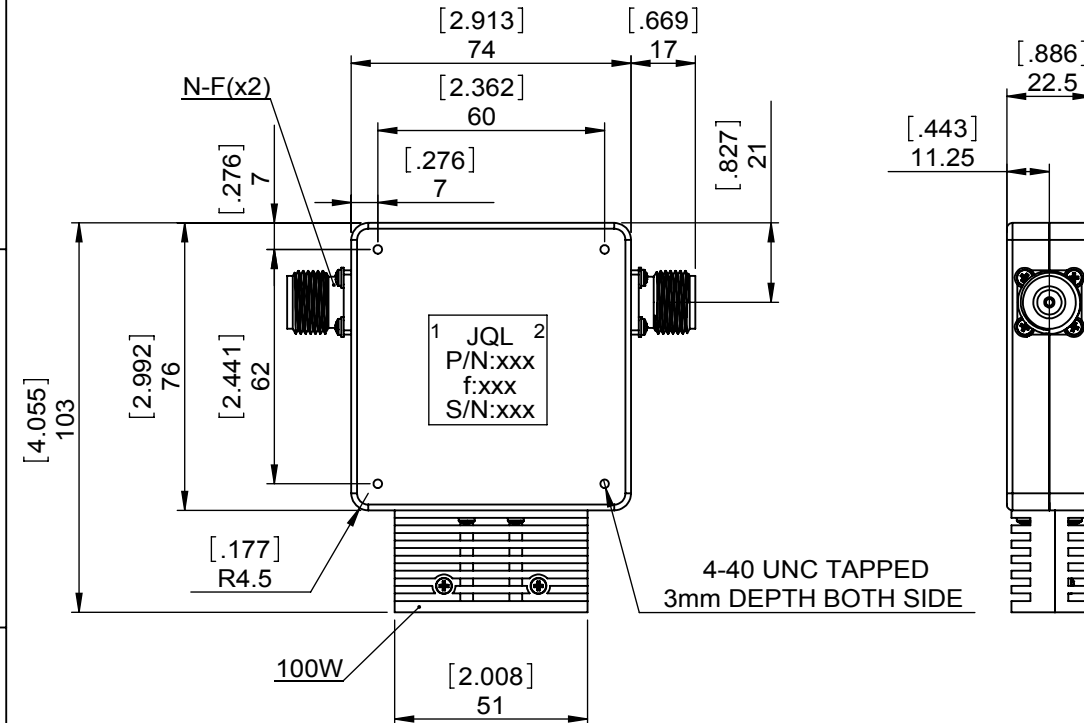


1		2		3		4		5		6	
Document No.	QR4-700-T-003	REV.	A/0	REV.	DESCRIPTION	REVISOR	DATE	APPROVED			
		0		M.Hao	01.17.2014	David					



SPECIFICATIONS	
Part's Number	JIC0119N3
Frequency(GHz)	0.119~0.120
Direction	-
Insertion Loss(dB)MAX	0.50
Isolation(dB)MIN	19.0
Return Loss(dB)MIN	19.0
3rd IMD(dBc)MAX	-
Power FWD/REV/PK(Watt)	100/30/-
Operating Temperature(°C)	0~+60
Storage Temperature(°C)	-
2nd/3rd Harmonic(dBc)	-
Termination/Attenuator(Watt/dB)	100
Tab(W×LG×THK)(mm[Inch])	-
Additional Notes	-



JQL JQL Electronic Inc

MATERIAL: STEEL	DWG NO: JIC0119N3
SURFACE TREATMENT: NICKEL PLATING	DWG BY: M.Hao CHK'D BY: APPV'D BY:
DESCRIPTION: COAX ISOLATOR	01.17.2014 SACLE 1:2
Unit: mm[inch]	Tolerance: Liner: ±0.25 Anguar: ±0.5° The First:
	A4

RoHS COMPLIANCE
This document is the property of JQL Electronic Inc. It cannot be copied, duplicated, used for manufacturing purposes or communicated to third party as a whole or partly, without the written consent of JQL Electronic Inc.