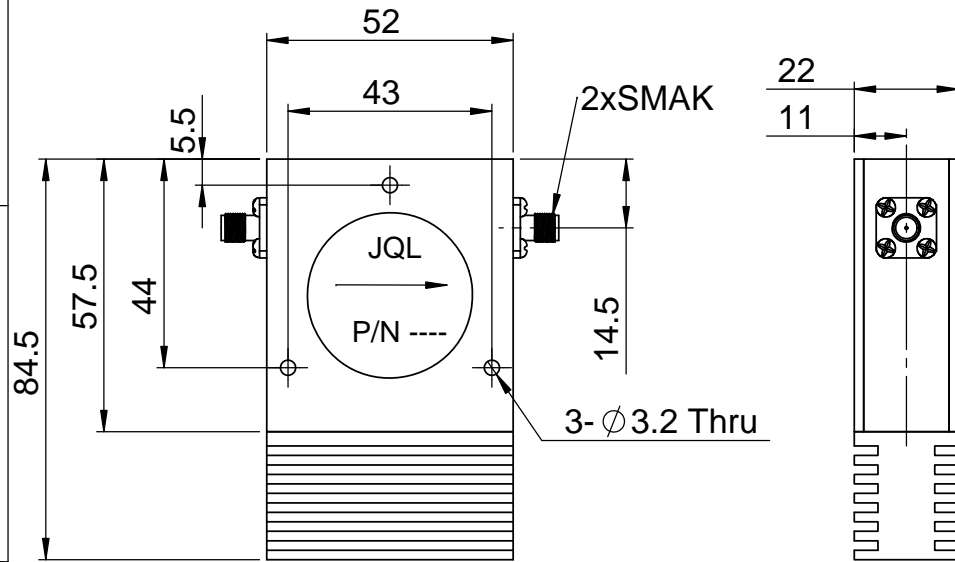


1 2 3 4 5 6

Stock Number

REV.	DESCRIPTION	REVISOR	DATE	APPROVE
0		CG	11.27.10	CH

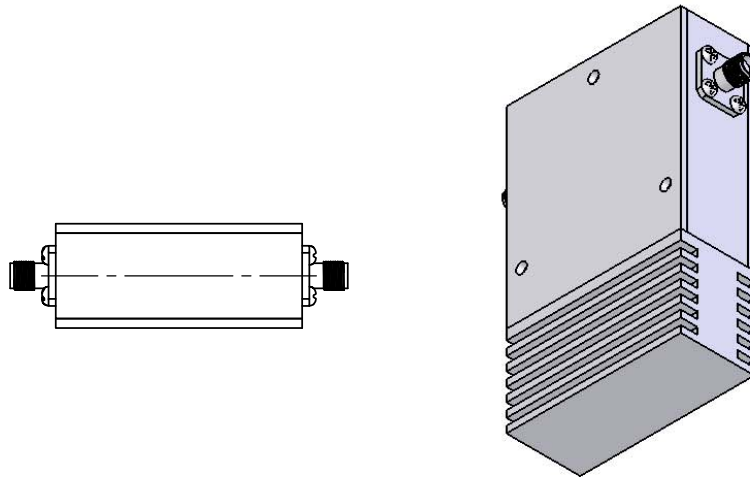


SPECIFICATION

Part's Number: JIC0350T0400S10
 Frequency: 0.350~0.400GHz
 Direction: CW
 Insertion Loss: 0.4dB MAX
 Isolation: 20dB MIN
 VSWR: 1.25:1 MAX
 Power FWD/REV: 250W/50W
 Temperature: -40 °C~+65 °C
 Connector: SMA-f



This document is the property of JQL Electronic Inc. It cannot be copied, duplicated, used for manufacturing purposes or communicated to third party as a whole or partly, without the written consent of JQL Electronic Inc.



JQL JQL Electronic Inc

MATERIAL:

DWG NO.
JIC0350T0400S10

SURFACE TREATMENT:

	NAME	DATE	SCALE:
DWG BY:	CG	11.27.10	1:1
CHK'D BY:	FW	11.27.10	
APP'VD BY:	CH	11.27.10	

DESCRIPTION:

COAX ISOLATOR

Unless Otherwise Specified All Dimension Are In mm And Tolerances Are:		Type Of Projection
TOLERANCES: ±0.1	Angular Dimensions: ±1°	
FRACTIONAL DIM: ±1/64	Holes Under Ø6.35: ±0.05	

Unit: mm

WEIGHT:

1 2 3 4 5 6