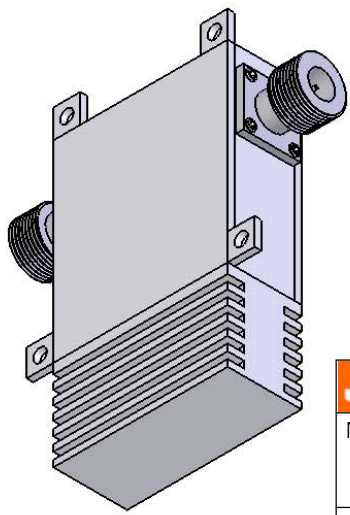
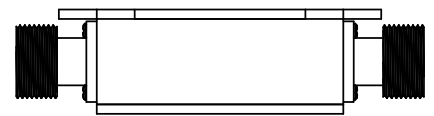
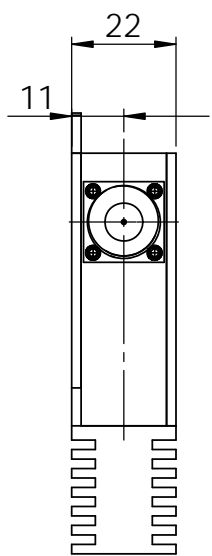
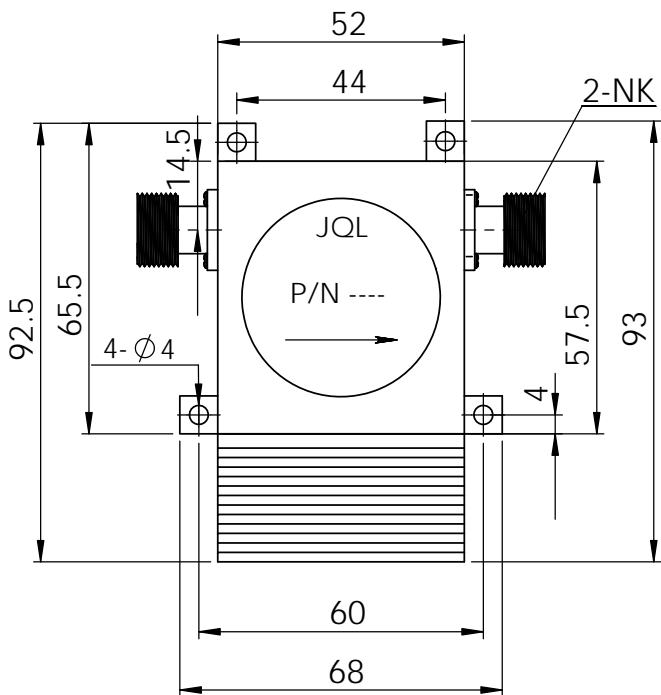


5		6		
REV.	DESCRIPTION	REVISOR	DATE	APPROVE



SPECIFICATIONS

P/N: JIC0350T0500N10
 FREQ: 0.350~0.500GHz

ISOLATION: 16dB MIN
 INS LOSS: 0.7dB MAX
 VSWR: 1.4:1 MAX
 PWR FWD/REV: 300W/100W
 CONNECTOR: N-F
 TEMPERATURE OPERATING: -20~+60C
 STORAGE: -55C~+125C

This document is the property of JQL Electronic Inc. It cannot be copied, duplicated, used for manufacturing purposes or communicated to third party as a whole or partly, without the written consent of JQL Electronic Inc.

JQL JQL Electronic Inc

MATERIAL:
STEEL

SURFACE TREATMENT:
NICKEL PLATING

DESCRIPTION:
COAX ISOLATOR

DWG NO. JIC0350T0500N10

	NAME	DATE	SIGNATURE	REV:
DWG BY:				
CHK'D BY:				0
APPV'D BY:				A4
	TOLERANCE Liner: ±0.1mm Angular: ±0.5°		Q.A	