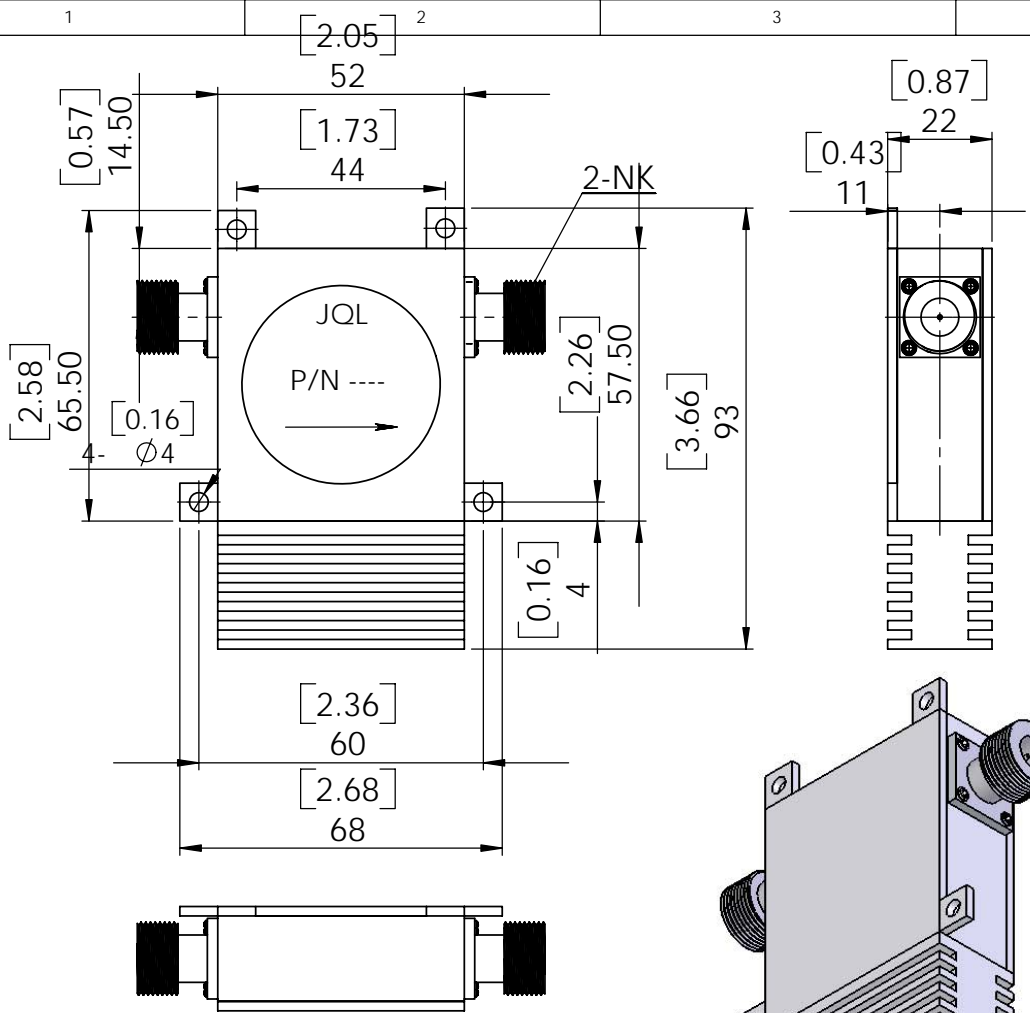


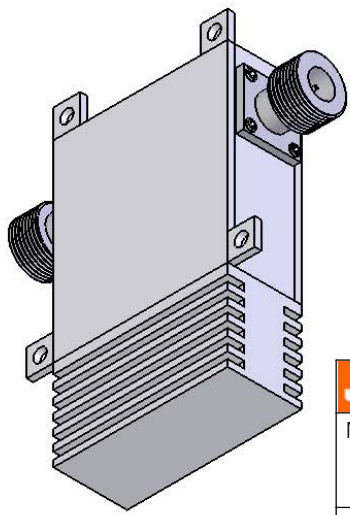
5		6		
REV.	DESCRIPTION	REVISOR	DATE	APPROVE



SPECIFICATIONS

P/N: JIC0400T0465N6
 FREQ: 0.400~0.465GHz

ISOLATION: 25dB MIN
 INS LOSS: 0.25dB MAX
 VSWR: 1.20:1 MAX
 PWR FWD/REV: 100W/60W
 TERMINATION: 100W
 CONNECTOR: N-F
 TEMPERATURE OPERATING: -20~+60C
 STORAGE: -55C~+125C



This document is the property of JQL Electronic Inc. It cannot be copied, duplicated, used for manufacturing purposes or communicated to third party as a whole or partly, without the written consent of JQL Electronic Inc.

JQL JQL Electronic Inc

MATERIAL: STEEL	DWG NO. JIC00400T0465N6																				
SURFACE TREATMENT: NICKEL PLATING																					
DESCRIPTION: COAX ISOLATOR																					
	<table border="1"> <thead> <tr> <th>NAME</th> <th>DATE</th> <th>SIGNATURE</th> <th>REV:</th> </tr> </thead> <tbody> <tr> <td>DWG BY:</td> <td></td> <td></td> <td></td> </tr> <tr> <td>CHK'D BY:</td> <td></td> <td></td> <td></td> </tr> <tr> <td>APPV'D BY:</td> <td></td> <td></td> <td>0</td> </tr> <tr> <td></td> <td>TOLERANCE Liner: ±0.1mm Angular: ±0.5°</td> <td>Q.A</td> <td>A4</td> </tr> </tbody> </table>	NAME	DATE	SIGNATURE	REV:	DWG BY:				CHK'D BY:				APPV'D BY:			0		TOLERANCE Liner: ±0.1mm Angular: ±0.5°	Q.A	A4
NAME	DATE	SIGNATURE	REV:																		
DWG BY:																					
CHK'D BY:																					
APPV'D BY:			0																		
	TOLERANCE Liner: ±0.1mm Angular: ±0.5°	Q.A	A4																		