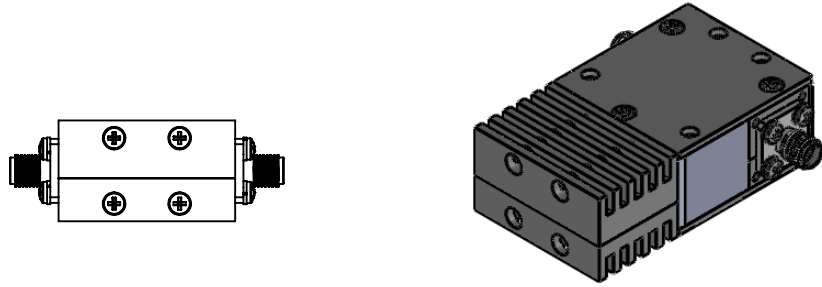
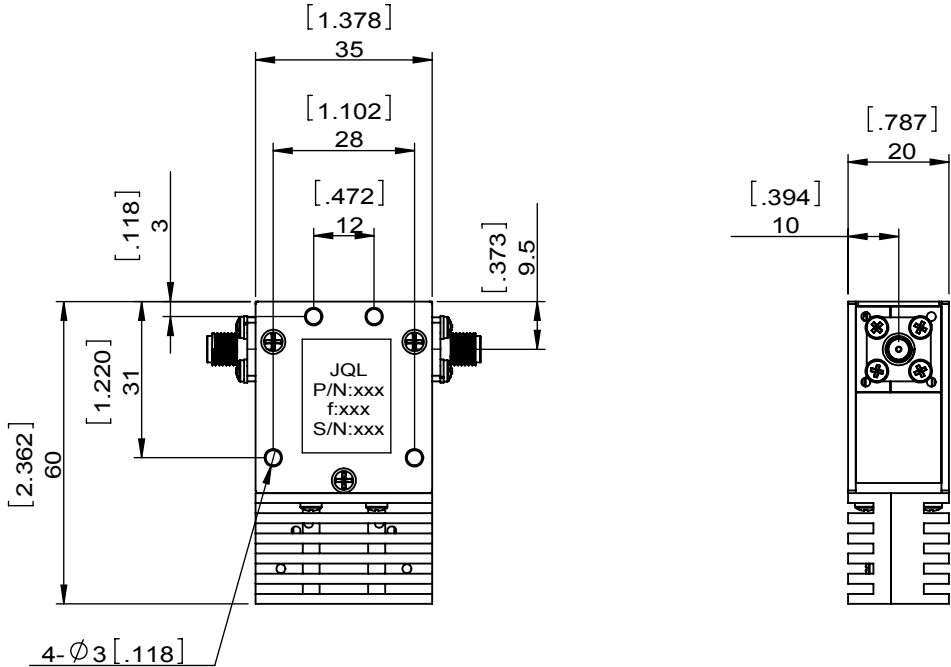


1		2		3		4		5		6	
Document No.		QR4-700-T-003		REV.		0		DESCRIPTION		APPROVED	
REV.		A/0						REVISOR		DATE	
								JUNMA		07.25.2017	
										David	



SPECIFICATIONS	
Part's Number	JIC0700T1000S10
Frequency(GHz)	0.700~1.000
Direction	CW
Insertion Loss(dB)MAX	0.50
Isolation(dB)MIN	18.0
Return Loss(dB)MIN	17.7
3rd IMD(dBc)MAX	-
Power FWD/REV/PK(Watt)	100/100/600
Operating Temperature(°C)	-20~+80
Storage Temperature(°C)	-
2nd/3rd Harmonic(dBc)	-
Termination/Attenuator(Watt/dB)	100
Tab(W×LG×THK)(mm[Inch])	-
Additional Notes	-



This document is the property of JQL Electronic Inc. It cannot be copied, duplicated, used for manufacturing purposes or communicated to third party as a whole or partly, without the written consent of JQL Electronic Inc.

JQL JQL Electronic Inc				
MATERIAL: STEEL		DWG NO: JIC0700T1000S10		
SURFACE TREATMENT: NICKEL PLATING		DWG BY:	JUNMA	07.25.2017
DESCRIPTION: COAX CIRCULATOR		CHK'D BY:		SCALE
		APPV'D BY:		2:3
		Unit:	Tolerance:	The First:
		mm[inch]	Liner: ±0.25	
			Anguar: ±0.5°	A4