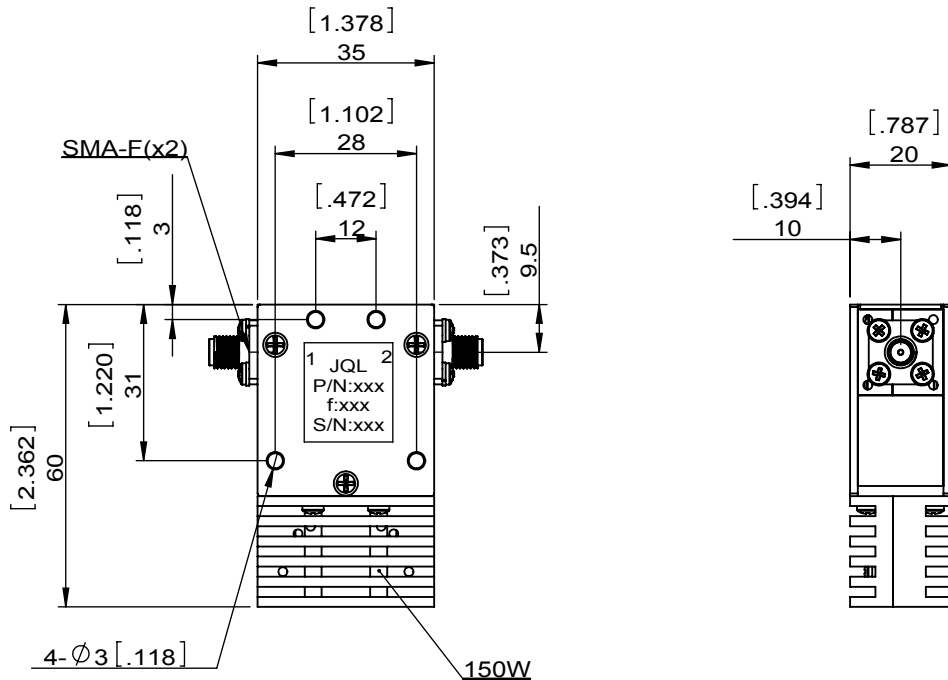
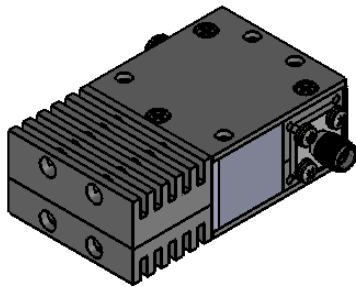
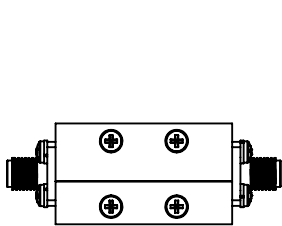


1	2
Document No.	QR4-700-T-003
REV.	A/0

3	4	5	6
REV.	DESCRIPTION	REVISOR	DATE
0		ZC.Wu	09.02.2014
			APPROVED
			David



SPECIFICATIONS	
Part's Number	JIC0800T0960S10
Frequency(GHz)	0.800~0.960
Direction	-
Insertion Loss(dB)MAX	0.40
Isolation(dB)MIN	20.0
Return Loss(dB)MIN	20.0
3rd IMD(dBc)MAX	-
Power FWD/REV/PK(Watt)	100/100/-
Operating Temperature(°C)	-20~+80
Storage Temperature(°C)	-
2nd/3rd Harmonic(dBc)	-
Termination/Attenuator(Watt/dB)	150
Tab(W×LG×THK)(mm[Inch])	-
Additional Notes	-

JQL JQL Electronic Inc	
MATERIAL: STEEL	DWG NO: JIC0800T0960S10
SURFACE TREATMENT: NICKEL PLATING	DWG BY: ZC.Wu 09.02.2014 SCALE
DESCRIPTION: COAX CIRCULATOR	CHK'D BY:
	APPV'D BY: 2:3
Unit: mm[inch]	Tolerance: Liner: ±0.25 Anguar: ±0.5°
	The First:
	A4



This document is the property of JQL Electronic Inc. It cannot be copied, duplicated, used for manufacturing purposes or communicated to third party as a whole or partly, without the written consent of JQL Electronic Inc.

WEIGHT:

SHEET 1 OF 1