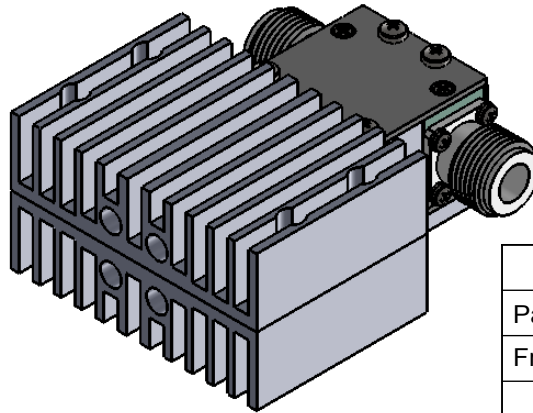
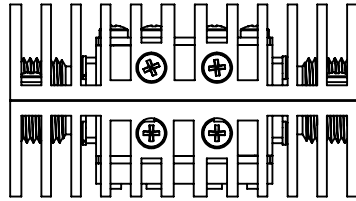
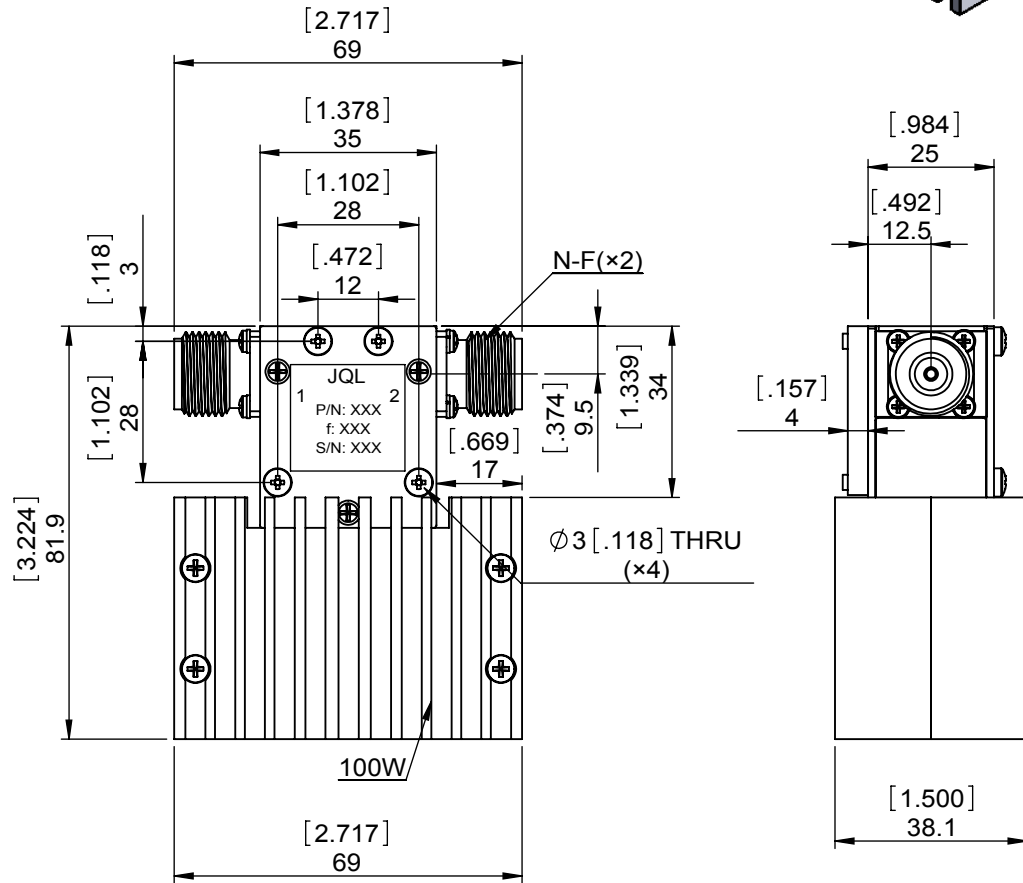


1		2		3		4		5		6		
Document No. QR4-700-T-003								REV.	DESCRIPTION	REVISOR	DATE	APPROVED
REV. A/0								0		LJ.Zhang	08.21.2013	David



SPECIFICATIONS	
Part's Number	JIC0851T0869N6
Frequency(GHz)	0.851~0.869
Direction	-
Insertion Loss(dB)MAX	0.30
Isolation(dB)MIN	30.0@25°C 25.0@-30~+60°C
Return Loss(dB)MIN	23.0
3rd IMD(dBc)MAX	-
Power FWD/REV/PK(Watt)	150/60/-
Operating Temperature(°C)	-30~+60
Storage Temperature(°C)	-
2nd/3rd Harmonic(dBc)	-
Termination/Attenuator(Watt/dB)	100/-
Tab(W×LG×THK)(mm[Inch])	-
Additional Notes	-



This document is the property of JQL Electronic Inc. It cannot be copied, duplicated, used for manufacturing purposes or communicated to third party as a whole or partly, without the written consent of JQL Electronic Inc.

JQL JQL Electronic Inc				
MATERIAL: STEEL		DWG NO: JIC0851T0869N6		
SURFACE TREATMENT: NICKEL PLATING		DWG BY:	LJ.Zhang	08.21.2013
DESCRIPTION: COAXIAL ISOLATOR		CHK'D BY:		SACLE
		APPV'D BY:		2:3
Unit: mm[inch]	Tolerance: Liner: ±0.25 Anguar: ±0.5°	The First:		A4