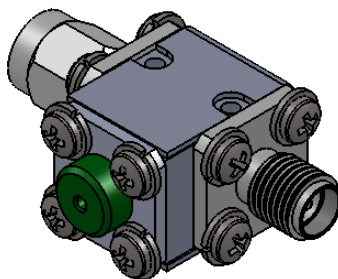
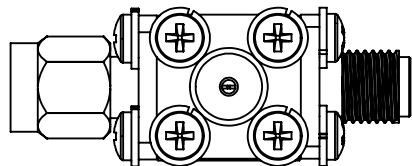
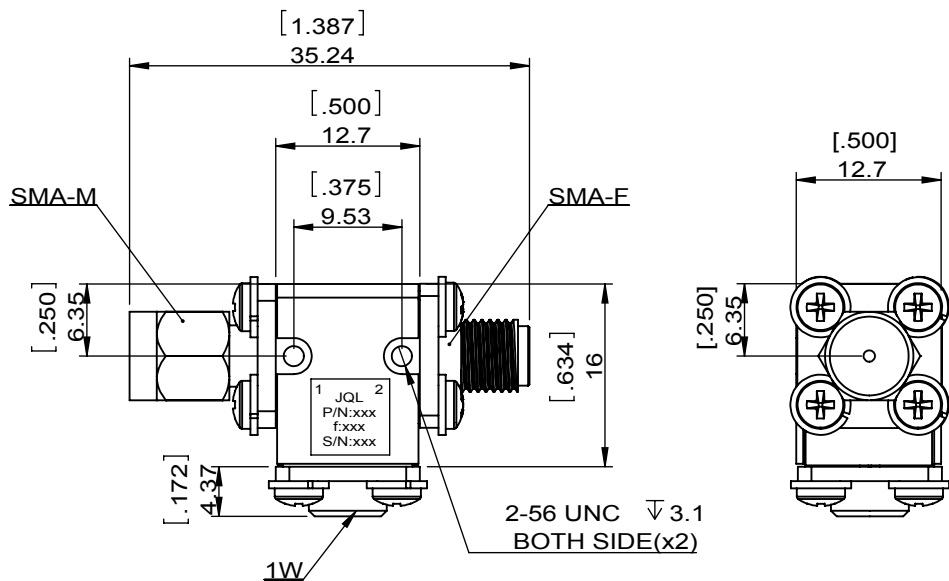


1		2		3		4		5		6	
Document No.	QR4-700-T-003	REV.	A/0	REV.	DESCRIPTION	REVISOR	DATE	APPROVED			
		0		M.Hao	07.31.2013	David					



SPECIFICATIONS	
Part's Number	JIC11K1T12K7SMSF1
Frequency(GHz)	11.10~12.70
Direction	-
Insertion Loss(dB)MAX	0.40 Flatness:±0.1
Isolation(dB)MIN	20.0
Return Loss(dB)MIN	21.0
3rd IMD(dBc)MAX	-
Power FWD/REV/PK(Watt)	1/1/-
Operating Temperature(°C)	-40~+85
Storage Temperature(°C)	-
2nd/3rd Harmonic(dBc)	-
Termination/Attenuator(Watt/dB)	1
Tab(W×LG×THK)(mm[Inch])	-
Additional Notes	-



This document is the property of JQL Electronic Inc. It cannot be copied, duplicated, used for manufacturing purposes or communicated to third party as a whole or partly, without the written consent of JQL Electronic Inc.

<b>JQL JQL Electronic Inc</b>				
<b>MATERIAL:</b> STEEL		<b>DWG NO:</b> JIC11K1T12K7SMSF1		
<b>SURFACE TREATMENT:</b> NICKEL PLATING		DWG BY:	M.Hao	07.31.2013
<b>DESCRIPTION:</b> COAX ISOLATOR		CHK'D BY:		SACLE
		APPV'D BY:		3:2
		Unit: mm[inch]	Tolerance: Liner: ±0.25 Anguar: ±0.5°	The First: 
				A4