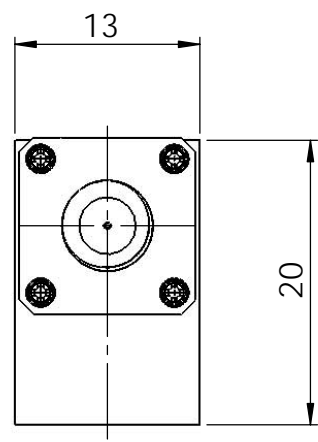
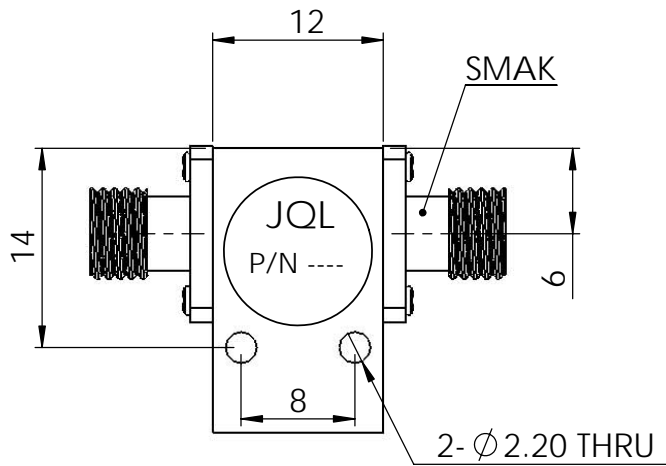
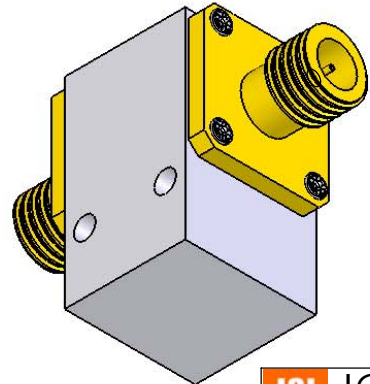
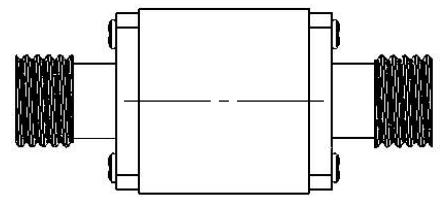


5		6		
REV.	DESCRIPTION	REVISOR	DATE	APPROVE



SPECIFICATIONS

P/N: JIC12K0T20K0S1
 FREQUENCY: 12~20GHz
 ISOLATION: 18dB MIN
 INS LOSS: 0.6dB MAX
 VSWR: 1.3:1 MAX
 PWR AVG: 10 Watts Average
 TEMP: -30C~+70C
 CONNECTOR: SMA-FEMALE
 CIRCULATION: CLOCKWISE



This document is the property of JQL Electronic Inc. It cannot be copied, duplicated, used for manufacturing purposes or communicated to third party as a whole or partly, without the written consent of JQL Electronic Inc.

JQL JQL Electronic Inc

MATERIAL:	DWG NO.			
SURFACE TREATMENT:	JIC12K0T20K0S1			
DESCRIPTION:	NAME	DATE	SIGNATURE	REV:
	DWG BY:			0
	CHK'D BY:			
	APPV'D BY:			
	TOLERANCE		Q.A	A4
	Liner: ±0.1mm			
	Angular: ±0.5°			

COAX ISOLATOR