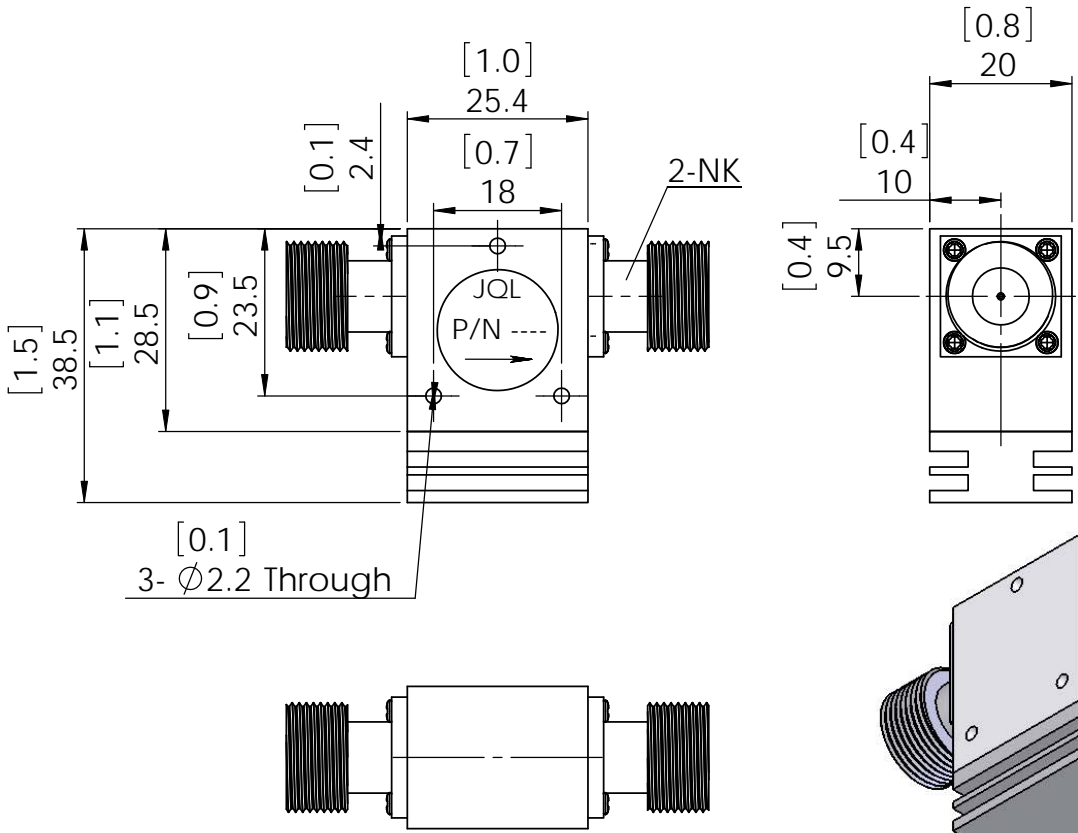


REV.	DESCRIPTION	REVISOR	DATE	APPROVE



SPECIFICATION

P/N: JIC1400T1800N10
 FREQ: 1.4~1.8GHz

CIRCULATION: CW
 ISOLATION: 20dB MIN
 INSERTION LOSS: 0.4dB MAX
 VSWR: 1.25:1 MAX
 PWR FWD/REV: 200W/50W
 TEMPERATURE OPERATING: 0C~+35C
 STORAGE: -55C~+125C

This document is the property of JQL Electronic Inc. It cannot be copied, duplicated, used for manufacturing purposes or communicated to third party as a whole or partly, without the written consent of JQL Electronic Inc.

JQL JQL Electronic Inc

MATERIAL: STEEL	DWG NO. JIC1400T1800N10			
SURFACE TREATMENT: NICKEL PLATING	NAME	DATE	SIGNATURE	REV:
DESCRIPTION: COAX ISOLATOR	DWG BY:			0
	CHK'D BY:			
	APPV'D BY:			
	TOLERANCE Liner: ±0.1mm Angular: ±0.5°		Q.A	A4