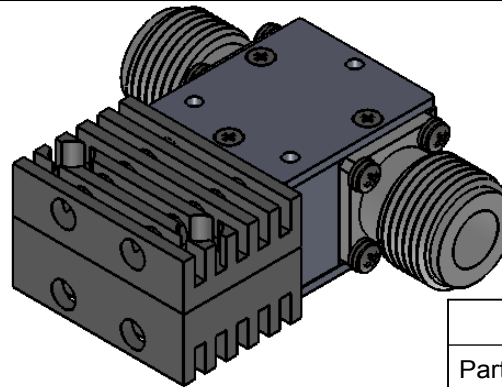
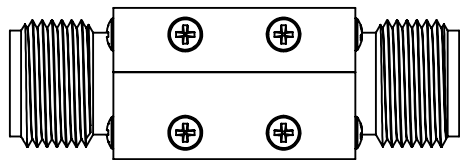
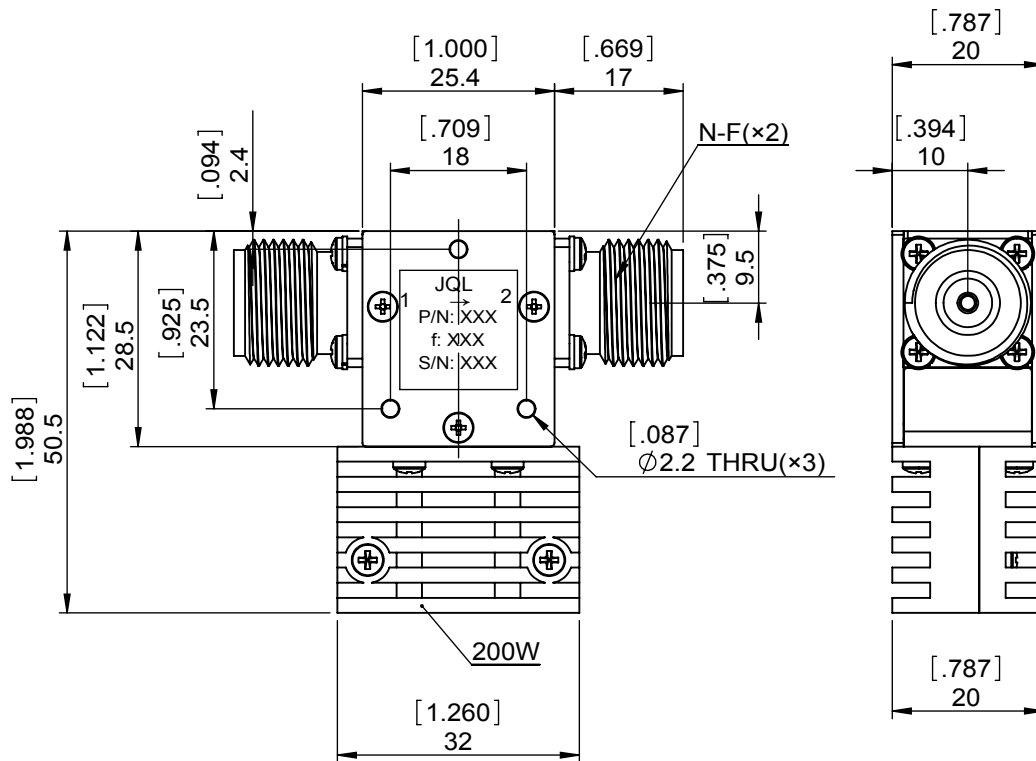


|              |               |   |  |   |  |      |             |          |            |          |  |
|--------------|---------------|---|--|---|--|------|-------------|----------|------------|----------|--|
| 1            |               | 2 |  | 3 |  | 4    |             | 5        |            | 6        |  |
| Document No. | QR4-700-T-003 |   |  |   |  | REV. | DESCRIPTION | REVISOR  | DATE       | APPROVED |  |
| REV.         | A/0           |   |  |   |  | 0    |             | LJ.Zhang | 08.27.2013 | David    |  |



| SPECIFICATIONS                  |                 |
|---------------------------------|-----------------|
| Part's Number                   | JIC1420T1550N20 |
| Frequency(GHz)                  | 1.420~1.550     |
| Direction                       | -               |
| Insertion Loss(dB)MAX           | 0.30            |
| Isolation(dB)MIN                | 20.0            |
| Return Loss(dB)MIN              | 20.0            |
| 3rd IMD(dBc)MAX                 | -               |
| Power FWD/REV/PK(Watt)          | 200/200/-       |
| Operating Temperature(°C)       | -20~+85         |
| Storage Temperature(°C)         | -               |
| 2nd/3rd Harmonic(dBc)           | -               |
| Termination/Attenuator(Watt/dB) | 200/-           |
| Tab(W×LG×THK)(mm[Inch])         | -               |
| Additional Notes                | -               |



This document is the property of JQL Electronic Inc. It cannot be copied, duplicated, used for manufacturing purposes or communicated to third party as a whole or partly, without the written consent of JQL Electronic Inc.

|   |  |                                   |   |                |
|---|--|-----------------------------------|---|----------------|
| <b>JQL JQL Electronic Inc</b>               |  |                                   |   |                |
| <b>MATERIAL:</b><br>STEEL                   |  | <b>DWG NO:</b><br>JIC1420T1550N20 |   |                |
| <b>SURFACE TREATMENT:</b><br>NICKEL PLATING |  | DWG BY:                           | LJ.Zhang                                    | 08.27.2013     |
| <b>DESCRIPTION:</b><br>COAXIAL ISOLATOR     |  | CHK'D BY:                         |   | SACLE          |
|   |  | APP'V'D BY:                       |   | 1:1            |
|   |  | Unit:<br>mm[inch]                 | Tolerance:<br>Liner: ±0.25<br>Anguar: ±0.5° | The First:<br> |
|   |  |                                   |   | A4             |