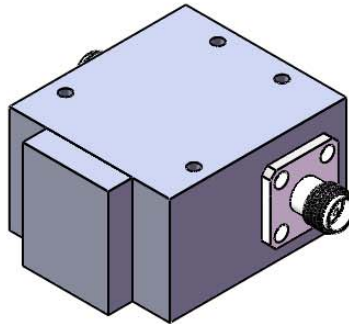
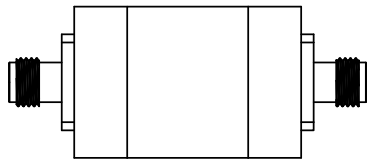


Document No. QR4-700-T-003

REV. A/0

REV.	DESCRIPTION	REVISOR	DATE	APPROVE
0		MH	12.27.12	CH

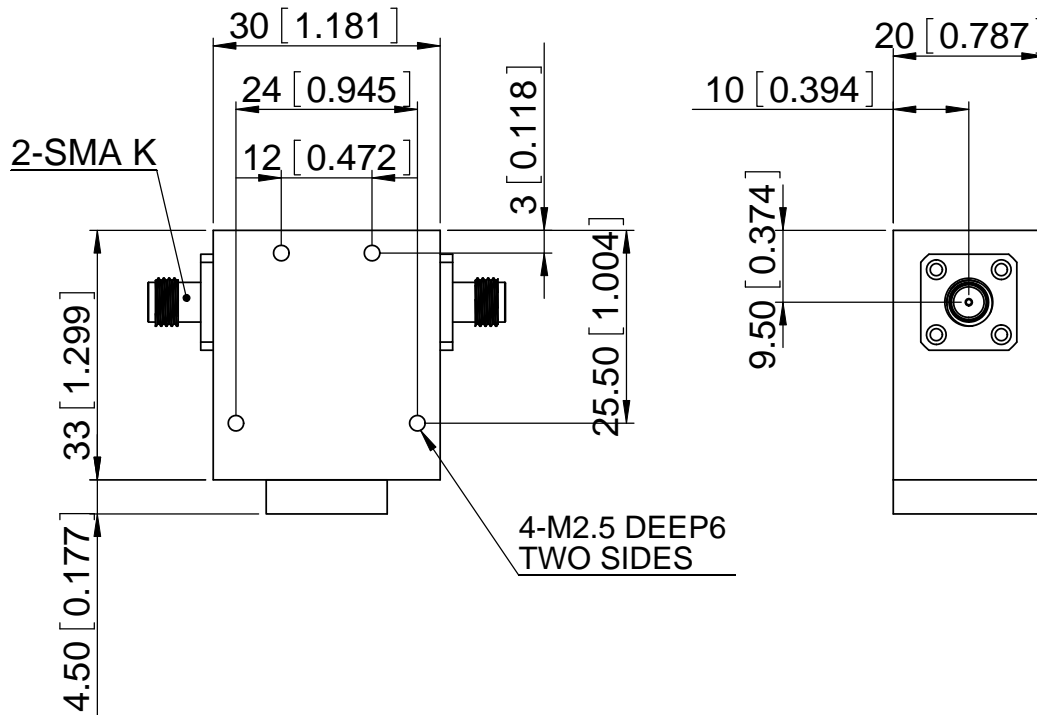


SPECIFICATIONS

P/N: JIC1430T1930S1R  
 FREQ: 1.43~1.93GHz

ISOLATION: 17dB MIN  
 INSERTION LOSS: 0.5dB MAX  
 RETURN LOSS: 17dB MIN  
 PWR FWD/REV: 60W/10W  
 CONNECTOR: SMA-F  
 CIRCULATION: CLOCKWISE  
 TEMPERATURE OPERATING: -30C~+70C  
 STORAGE: -55C~+125C

NOTE: SEALED & PAINTED



This document is the property of JQL Electronic Inc. It cannot be copied, duplicated, used for manufacturing purposes or communicated to third party as a whole or partly, without the written consent of JQL Electronic Inc.

JQL Electronic Inc

MATERIAL: <b>STEEL</b>	DWG NO. JIC1430T1930S1R		
SURFACE TREATMENT: <b>NICKEL PLATING</b>	NAME	DATE	SCALE:
	DWG BY: <b>MH</b>	12.27.12	<b>1:1</b>
DESCRIPTION: <b>COAX ISOLATOR</b>	CHK'D BY:		<b>A4</b>
	APPV'D BY:		
Unit: mm[inch]	TOLERANCE: Liner: ±0.1mm Angular: ±0.5°	Type Of Projection	

WEIGHT: