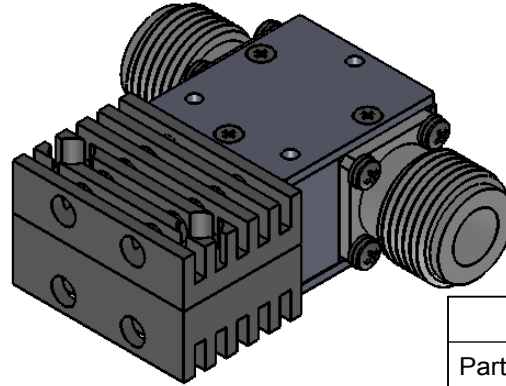
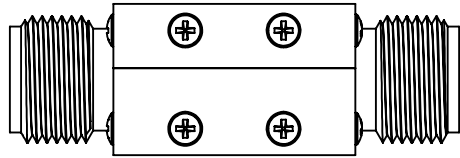
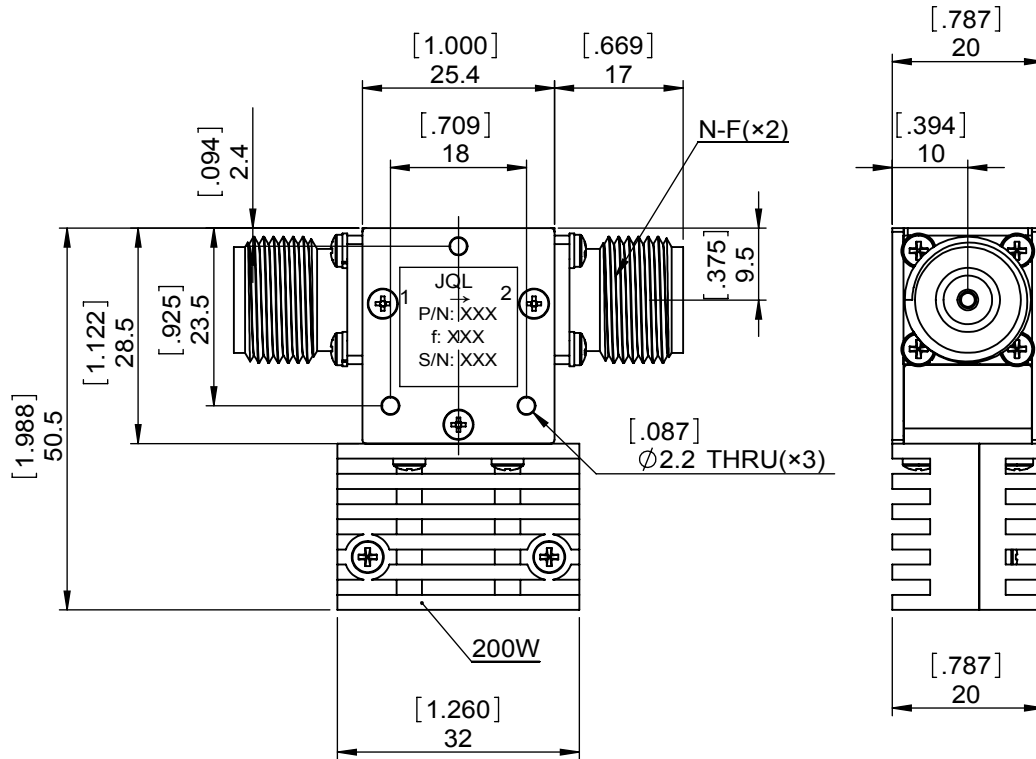


1		2		3		4		5		6		
Document No. QR4-700-T-003								REV.	DESCRIPTION	REVISOR	DATE	APPROVED
REV.		A/0						0		LJ.Zhang	08.27.2013	David



SPECIFICATIONS	
Part's Number	JIC1450T1550N20
Frequency(GHz)	1.450~1.550
Direction	-
Insertion Loss(dB)MAX	0.25
Isolation(dB)MIN	20.0
Return Loss(dB)MIN	20.0
3rd IMD(dBc)MAX	-
Power FWD/REV/PK(Watt)	200/200/-
Operating Temperature(°C)	-20~+85
Storage Temperature(°C)	-
2nd/3rd Harmonic(dBc)	-
Termination/Attenuator(Watt/dB)	200/-
Tab(W×LG×THK)(mm[Inch])	-
Additional Notes	-



This document is the property of JQL Electronic Inc. It cannot be copied, duplicated, used for manufacturing purposes or communicated to third party as a whole or partly, without the written consent of JQL Electronic Inc.

<b>JQL</b> JQL Electronic Inc				
<b>MATERIAL:</b> STEEL		<b>DWG NO:</b> JIC1450T1550N20		
<b>SURFACE TREATMENT:</b> NICKEL PLATING		DWG BY:	LJ.Zhang	08.27.2013
<b>DESCRIPTION:</b> COAXIAL ISOLATOR		CHK'D BY:		SACLE
		APP'V'D BY:		1:1
Unit: mm[inch]		Tolerance:	The First:	A4
		Liner: ±0.25		
		Anguar: ±0.5°		