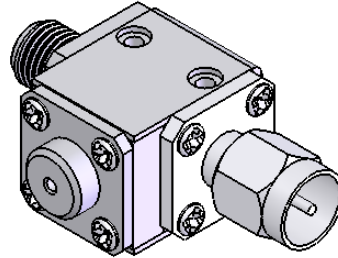
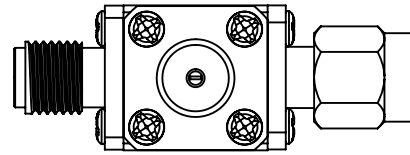


1 2 3 4 5 6

Stock Number

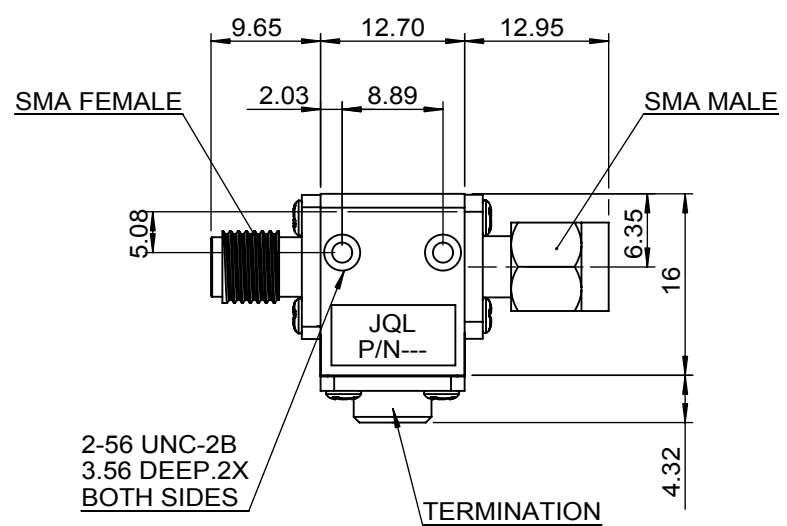
402030121

REV.	DESCRIPTION	REVISOR	DATE	APPROVE
0		MH	07.11.11	CH



**SPECIFICATION**

Part's number: JIC17K7T19K7SFM1  
 Frequency: 17.7~19.7GHz  
 Direction: CW  
 Insertion Loss: 0.45dB MAX.  
 Isolation: 20dBMIN.  
 VSWR: 1.25:1MAX.  
 PWR FWD/REV: 5W/1W  
 Temperature: -20°C~60°C  
 Connector: INPUT-SMA-F  
 OUTPUT-SMA-M



This document is the property of JQL Electronic Inc. It cannot be copied, duplicated, used for manufacturing purposes or communicated to third party as a whole or partly, without the written consent of JQL Electronic Inc.

<b>JQL</b> JQL Electronic Inc	
PACKAGE CODE: E181	DWG NO. JIC17K7T19K7SFM1
SURFACE TREATMENT: NECKEL PLATING	
DESCRIPTION: COAXIAL ISOLATOR	
Unit: mm	TOLERANCE: Liner: ±0.1mm Angular: ±0.5°
	Type Of Projection 
	SCALE: 1:1
	A4