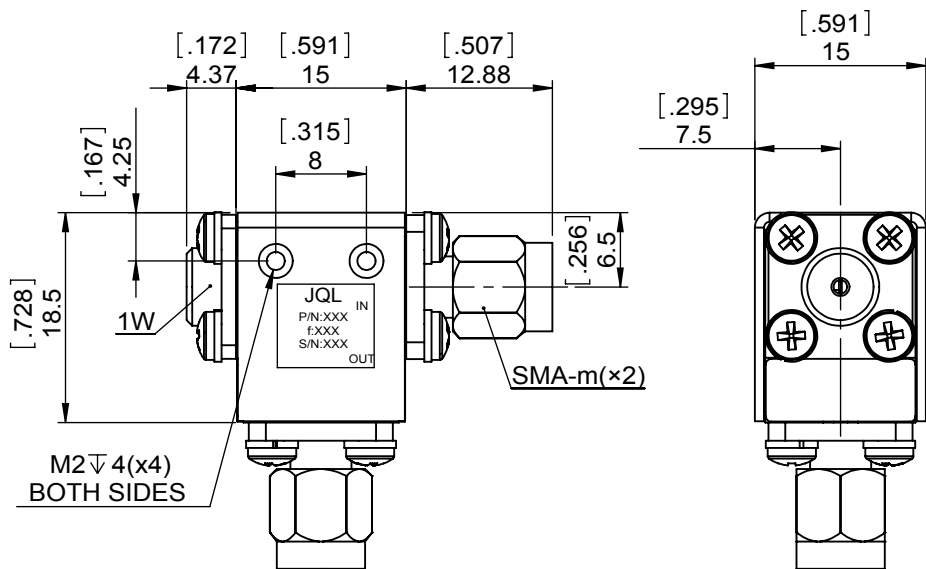
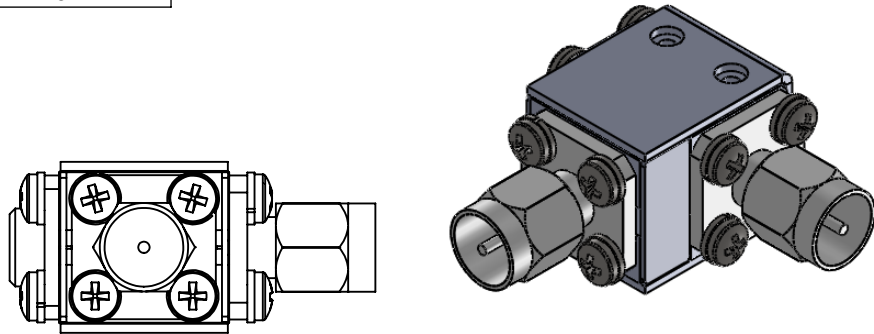


1		2		3		4		5		6	
Document No.	QR4-700-T-003	REV.	A/0	REV.	DESCRIPTION	REVISOR	DATE	APPROVED			
				0		LJ.Zhang	10.31.2013	David			



SPECIFICATIONS	
Part's Number	JIC58T71-07
Frequency(GHz)	5.852~7.125
Direction	-
Insertion Loss(dB)MAX	0.35
Isolation(dB)MIN	20.0
Return Loss(dB)MIN	21.0
3rd IMD(dBc)MAX	-
Power FWD/REV/PK(Watt)	10/1/-
Operating Temperature(°C)	-20~+60
Storage Temperature(°C)	-
2nd/3rd Harmonic(dBc)	-
Termination/Attenuator(Watt/dB)	1
Tab(W×LG×THK)(mm[Inch])	-
Additional Notes	Humidity:45%~90% Vibration(The have amplitude): 2mm/min(2 hours continuously) Shock:20G(Free fall)

JQL JQL Electronic Inc				
MATERIAL: STEEL		DWG NO: JIC58T71-07		
SURFACE TREATMENT: NICKEL PLATING		DWG BY:	LJ.Zhang	10.31.2013
DESCRIPTION: COAX ISOLATOR		CHK'D BY:		SACLE
		APP'V'D BY:		3:2
Unit: mm[inch]	Tolerance: Liner: ±0.25 Anguar: ±0.5°	The First:		A4



This document is the property of JQL Electronic Inc. It cannot be copied, duplicated, used for manufacturing purposes or communicated to third party as a whole or partly, without the written consent of JQL Electronic Inc.