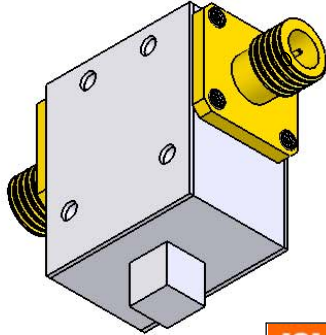
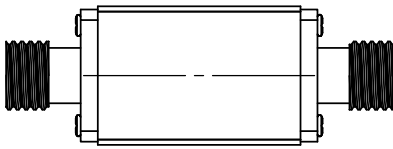
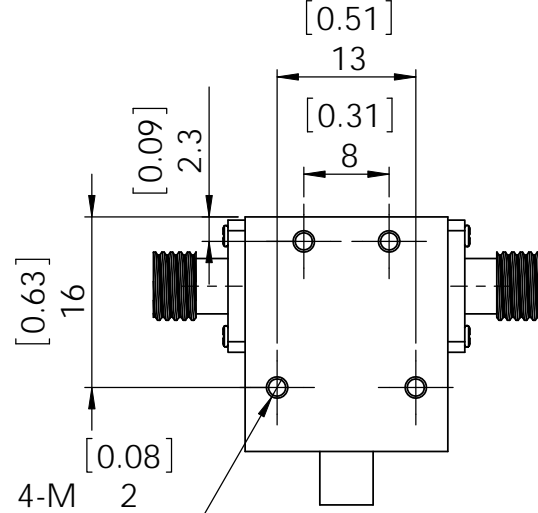
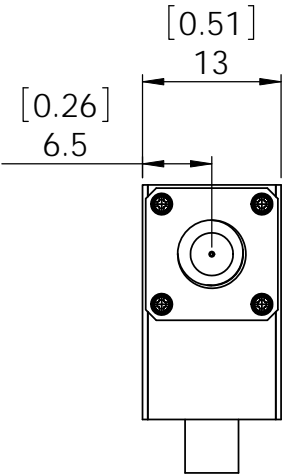
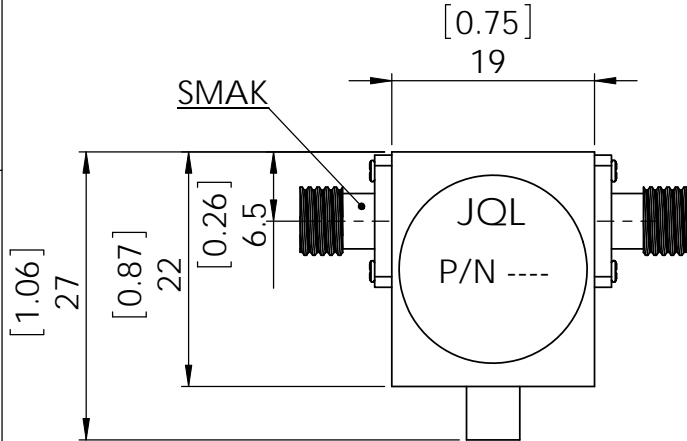


REV.	DESCRIPTION	REVISOR	DATE	APPROVE



P/N: JIC6000T18K0S1  
 FREQ: 6.0~18.0GHz  
 ISOLATION: 12dB MIN  
 INS LOSS: 1.5dB MAX  
 VSWR: 1.80:1 MAX  
 PWR FWD/REV 15W/10W  
 TEMP: -40C~+75C  
 CONNECTOR: SMA-F

This document is the property of JQL Electronic Inc.  
 It cannot be copied, duplicated, used for manufacturing purposes  
 or communicated to third party as a whole or partly,  
 without the written consent of JQL Electronic Inc.

**JQL JQL Electronic Inc** 500 Lake Cook Road, Suite 350 Tel : 1(888)236-9828  
 Deerfield, IL 60015, USA Fax: 1(630)823-2902

MATERIAL:  
 SURFACE TREATMENT:  
 DESCRIPTION:  
**COAX ISOLATOR**

DWG NO.		JIC6000T18K0S1		
DWG BY:	NAME	DATE	SIGNATURE	REV:
CHK'D BY:				0
APPV'D BY:				A4
TOLERANCE		Q.A		
Liner: ±0.1mm				
Angular: ±0.5°				