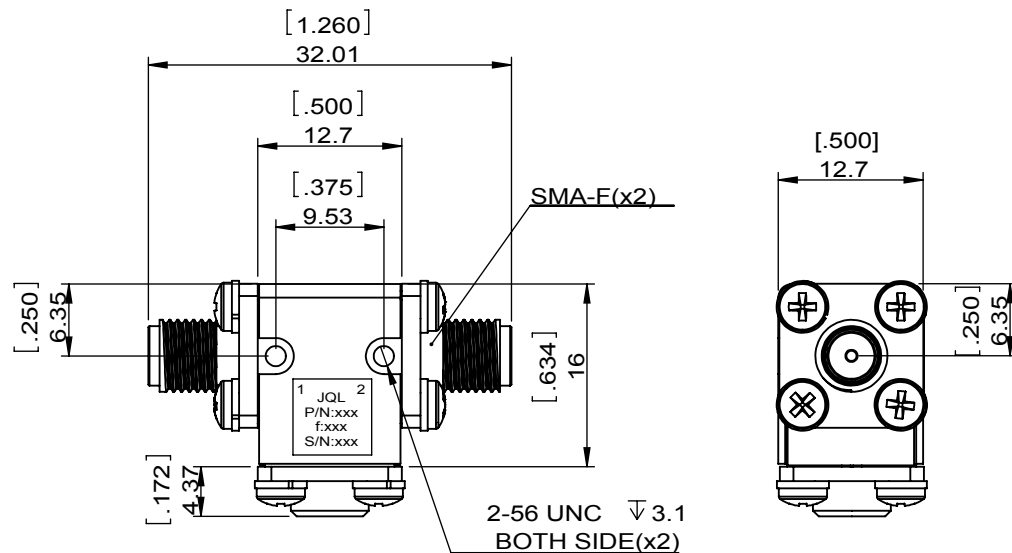
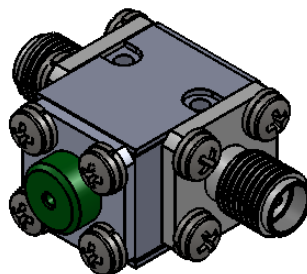
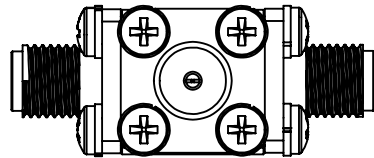


1		2		3		4		5		6	
Document No.	QR4-700-T-003	REV.	A/0	REV.	DESCRIPTION	REVISOR	DATE	APPROVED			
		0		ZC.Wu	05.12.2014	David					



SPECIFICATIONS	
Part's Number	JIC9500T10K5S1
Frequency(GHz)	9.500~10.50
Direction	-
Insertion Loss(dB)MAX	0.3
Isolation(dB)MIN	21.0
Return Loss(dB)MIN	20.0
3rd IMD(dBc)MAX	-
Power FWD/REV/PK(Watt)	10/5/50
Operating Temperature(°C)	-30~+70
Storage Temperature(°C)	-
2nd/3rd Harmonic(dBc)	-
Termination/Attenuator(Watt/dB)	-
Tab(W×LG×THK)(mm[Inch])	-
Additional Notes	SMA-F

JQL JQL Electronic Inc				
MATERIAL: STEEL		DWG NO: JIC9500T10K5S1		
SURFACE TREATMENT: NICKEL PLATING		DWG BY:	ZC.Wu	05.12.2014
DESCRIPTION: COAX ISOLATOR		CHK'D BY:		SACLE
		APPV'D BY:		3:2
Unit: mm[inch]	Tolerance: Liner: ±0.25 Anguar: ±0.5°	The First:		A4



This document is the property of JQL Electronic Inc. It cannot be copied, duplicated, used for manufacturing purposes or communicated to third party as a whole or partly, without the written consent of JQL Electronic Inc.