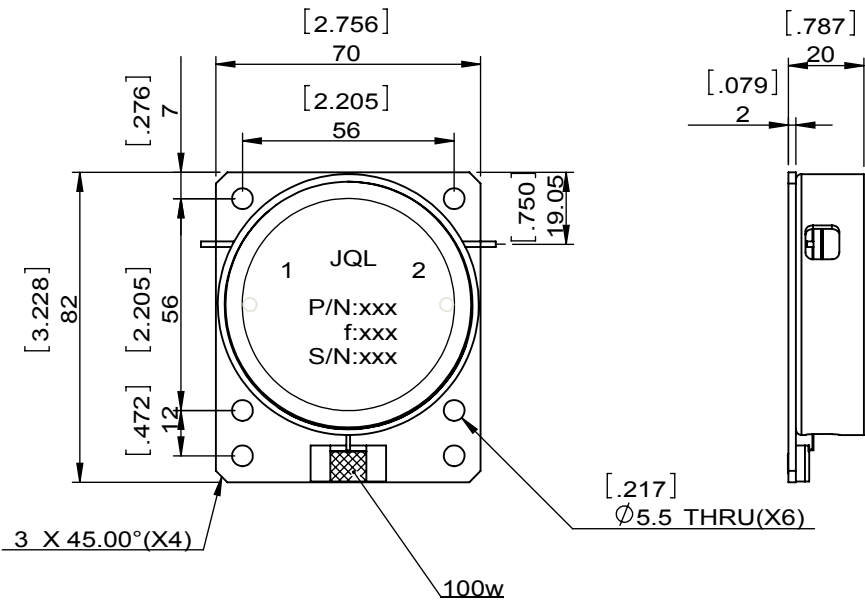
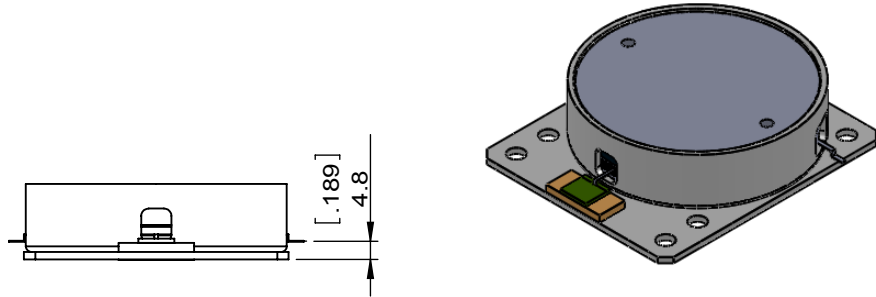


1		2		3		4		5		6	
Document No.	QR4-700-T-003	REV.	A/0	REV.	DESCRIPTION	REVISOR	DATE	APPROVED			
		0		ZC.Wu	11.14.2014	David					



SPECIFICATIONS	
Part's Number	JID0100EM5
Frequency(GHz)	0.100
Direction	CW
Insertion Loss(dB)MAX	0.4
Isolation(dB)MIN	19.0
Return Loss(dB)MIN	19.0
3rd IMD(dBc)MAX	
Power FWD/REV/PK(Watt)	50/50/-
Operating Temperature(°C)	-40~+80
Storage Temperature(°C)	
2nd/3rd Harmonic(dBc)	-
Termination/Attenuator(Watt/dB)	100W
Tab(W×LG×THK)(mm[Inch])	1.5[0.060]X4.0[0.157]X0.25[0.010]
Additional Notes	-

<b>JQL</b> JQL Electronic Inc				
<b>MATERIAL:</b> I7082-001		<b>DWG NO:</b> JID0100EM5		
<b>SURFACE TREATMENT:</b> NICKEL PLATING		DWG BY:	ZC.Wu	11.14.2014
<b>DESCRIPTION:</b> DROP IN ISOLATOR		CHK'D BY:		SCALE
		APPV'D BY:		1:2
Unit: mm[inch]	Tolerance: Liner: ±0.25 Anguar: ±0.5°	The First:		A4



This document is the property of JQL Electronic Inc. It cannot be copied, duplicated, used for manufacturing purposes or communicated to third party as a whole or partly, without the written consent of JQL Electronic Inc.