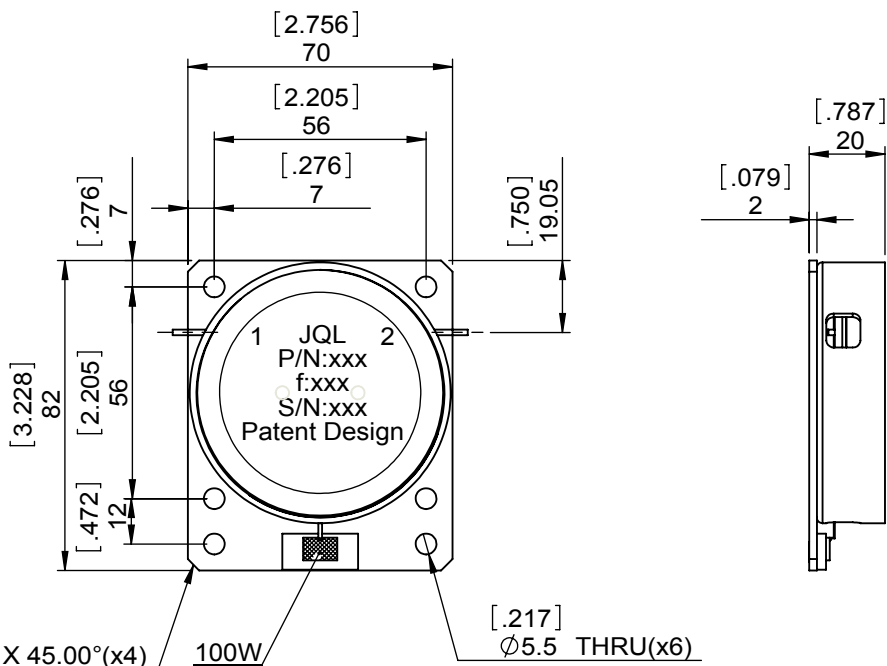
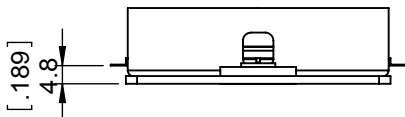
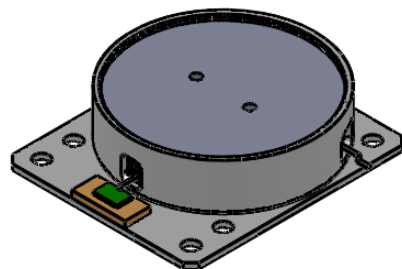


1		2		3		4		5		6	
Document No.	QR4-700-T-003	REV.	0	DESCRIPTION		REVISOR	LJ.Zhang	DATE	12.18.2013	APPROVED	David
REV.	A/0										



SPECIFICATIONS	
Part's Number	JID0148T0165EM10
Frequency(GHz)	0.148~0.165
Direction	CW
Insertion Loss(dB)MAX	0.50
Isolation(dB)MIN	19.0
Return Loss(dB)MIN	19.0
3rd IMD(dBc)MAX	-
Power FWD/REV/PK(Watt)	100/100/-
Operating Temperature(°C)	-20~+85
Storage Temperature(°C)	-
2nd/3rd Harmonic(dBc)	-
Termination/Attenuator(Watt/dB)	100
Tab(W×LG×THK)(mm[Inch])	1.5[0.06]X4.0[0.157]X0.25[0.010]-
Additional Notes	-

JQL **JQL Electronic Inc** 500 Lake Cook Road, Suite 350 Deerfield, IL 60015, USA Tel: 1(888)236-9828 Fax: 1(888)823-2902

MATERIAL: STEEL	DWG NO: JID0148T0165EM10			
SURFACE TREATMENT: NICKEL PLATING	DWG BY:	LJ.Zhang	12.18.2013	SACLE
	CHK'D BY:			
DESCRIPTION: DROP IN ISOLATOR	APP'VD BY:			1:2
	Unit: mm[inch]	Tolerance: Liner: ±0.25 Anguar: ±0.5°	The First:	A4



This document is the property of JQL Electronic Inc. It cannot be copied, duplicated, used for manufacturing purposes or communicated to third party as a whole or partly, without the written consent of JQL Electronic Inc.

WEIGHT:

SHEET 1 OF 1