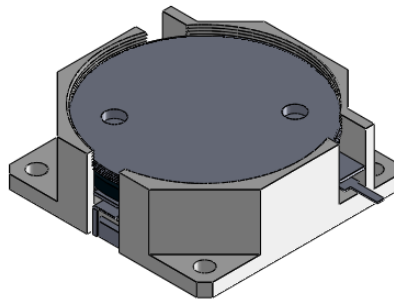
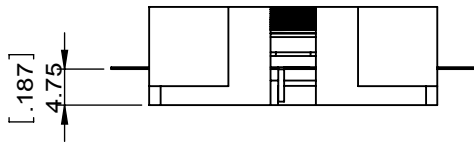
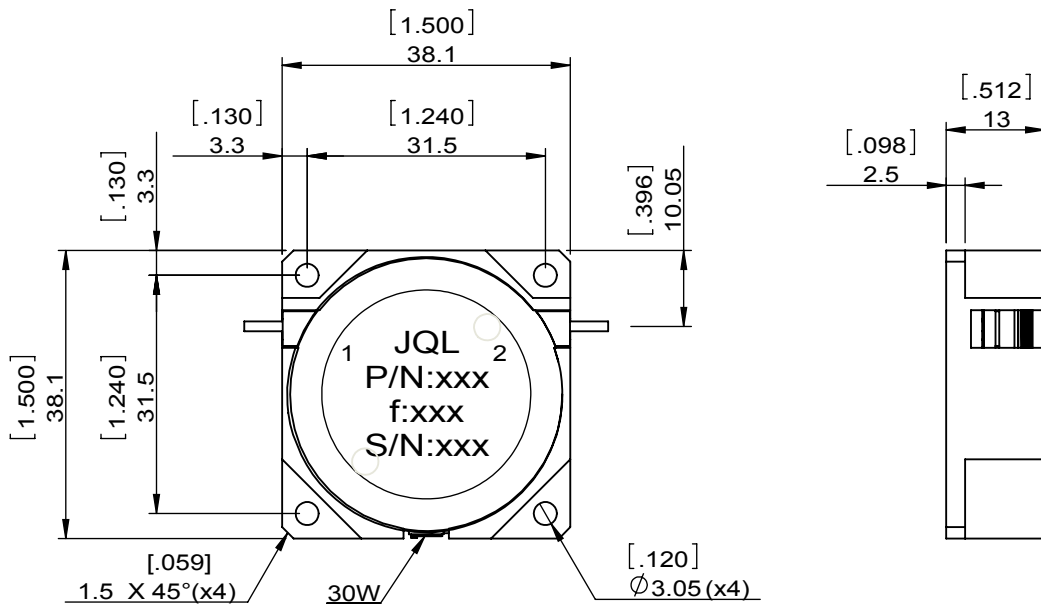


1		2		3		4		5		6	
Document No.	QR4-700-T-003	REV.	A/0	REV.	DESCRIPTION	REVISOR	DATE	APPROVED			
		0		ZC.Wu		08.22.2014		David			



SPECIFICATIONS	
Part's Number	JID0320T0380KM1
Frequency(GHz)	0.320~0.380
Direction	CW
Insertion Loss(dB)MAX	0.4
Isolation(dB)MIN	20.0
Return Loss(dB)MIN	20.0
3rd IMD(dBc)MAX	-60@2x36dBm
Power FWD/REV/PK(Watt)	10/5/-
Operating Temperature(°C)	-30~+70
Storage Temperature(°C)	-
2nd/3rd Harmonic(dBc)	-
Termination/Attenuator(Watt/dB)	30
Tab(W×LG×THK)(mm[Inch])	1.3[0.051]×5.0[0.197]×0.25[0.010]
Additional Notes	Soldering tab and the load can not highlight the housing



This document is the property of JQL Electronic Inc. It cannot be copied, duplicated, used for manufacturing purposes or communicated to third party as a whole or partly, without the written consent of JQL Electronic Inc.

JQL JQL Electronic Inc				
MATERIAL: STEEL		DWG NO: JID0320T0380KM1		
SURFACE TREATMENT: NICKEL PLATING		DWG BY:	ZC.Wu	08.22.2014
DESCRIPTION: DROP-IN ISOLATOR		CHK'D BY:		SCALE
		APP'V'D BY:		1:1
		Unit: mm[inch]	Tolerance: Liner: ±0.25 Anguar: ±0.5°	The First:
				A4