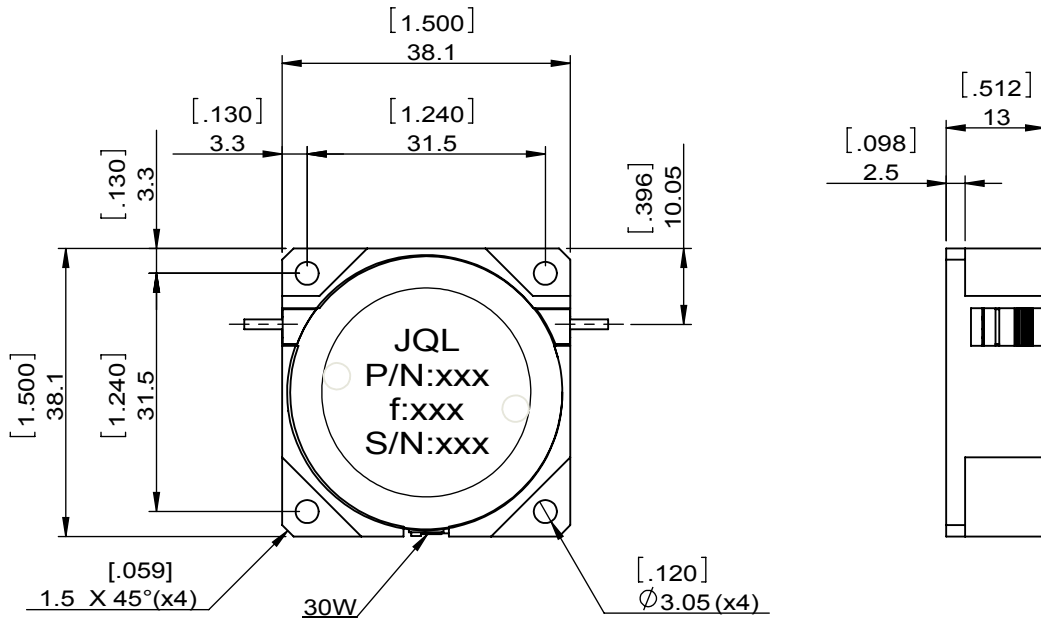
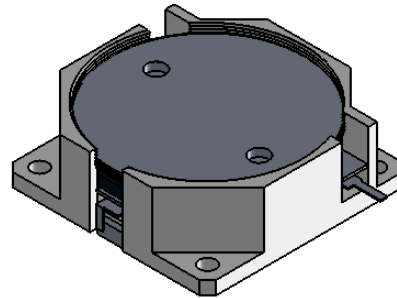
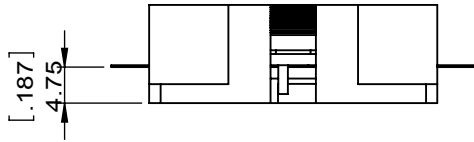


1	2
Document No.	QR4-700-T-003
REV.	A/0

3	4	5	6	
REV.	DESCRIPTION	REVISOR	DATE	APPROVED
0		M.Hao	04.28.2013	David
1	Changed the band	JP.Yang	2014-4-6	David



SPECIFICATIONS	
Part's Number	JID0360T0368KM1
Frequency(GHz)	0.360~0.368
Direction	CW
Insertion Loss(dB)MAX	0.35
Isolation(dB)MIN	28.0dB@+15°C~+45°C 24.0dB@-10°C~+70°C 22.0dB@-25°C
Return Loss(dB)MIN	20.0
3rd IMD(dBc)MAX	-60@2x36dBm
Power FWD/REV/PK(Watt)	100/10/-
Operating Temperature(°C)	-25~+70
Storage Temperature(°C)	-
2nd/3rd Harmonic(dBc)	-
Termination/Attenuator(Watt/dB)	30
Tab(W×LG×THK)(mm[Inch])	1.3[0.051]×5.0[0.197]×0.25[0.010]
Additional Notes	-

JQL JQL Electronic Inc		500 Lake Cook Road, Suite 350 Deerfield, IL 60015, USA		Tel: 1(888)236-9828 Fax: 1(888)823-2902	
MATERIAL: STEEL	DWG NO: JID0360T0368KM1				
SURFACE TREATMENT: NICKEL PLATING	DWG BY:	M.Hao	04.23.2013	SACLE	
DESCRIPTION: DROP-IN ISOLATOR	CHK'D BY:				1:1
	APP'VD BY:				
Unit: mm[inch]	Tolerance: Liner: ±0.25 Anguar: ±0.5°	The First:		A4	



This document is the property of JQL Electronic Inc. It cannot be copied, duplicated, used for manufacturing purposes or communicated to third party as a whole or partly, without the written consent of JQL Electronic Inc.