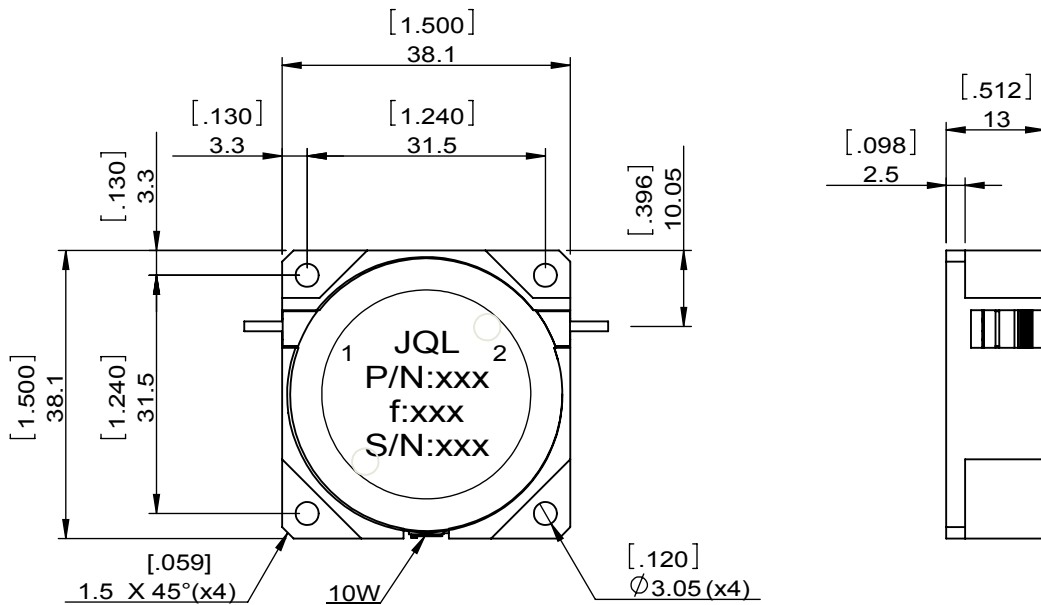
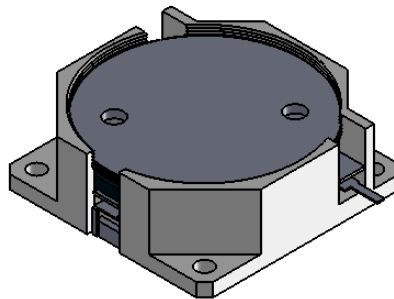
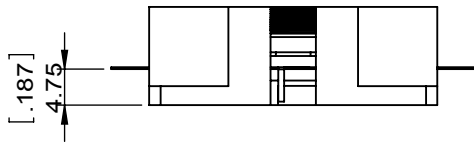


1		2		3		4		5		6	
Document No. QR4-700-T-003								REV.		DESCRIPTION	
REV.		A/0						REVISOR		DATE	
								ZC.Wu		04.29.2015	
								APPROVED		David	



SPECIFICATIONS	
Part's Number	JID0527T0605KM1
Frequency(GHz)	0.527~0.605
Direction	CW
Insertion Loss(dB)MAX	0.3
Isolation(dB)MIN	20.0
Return Loss(dB)MIN	20.0
3rd IMD(dBc)MAX	
Power FWD/REV/PK(Watt)	100/10/1KW
Operating Temperature(°C)	-20~+80
Storage Temperature(°C)	-
2nd/3rd Harmonic(dBc)	-
Termination/Attenuator(Watt/dB)	10
Tab(W×LG×THK)(mm[Inch])	1.3[0.051]x5.0[0.197]x0.25[0.010]
Additional Notes	



This document is the property of JQL Electronic Inc. It cannot be copied, duplicated, used for manufacturing purposes or communicated to third party as a whole or partly, without the written consent of JQL Electronic Inc.

JQL JQL Electronic Inc				
MATERIAL: STEEL		DWG NO: JID0527T0605KM1		
SURFACE TREATMENT: NICKEL PLATING		DWG BY:	ZC.Wu	04.29.2015
DESCRIPTION: DROP-IN ISOLATOR		CHK'D BY:		SCALE
		APPV'D BY:		1:1
		Unit: mm[inch]	Tolerance: Liner: ±0.25 Anguar: ±0.5°	The First:
				A4