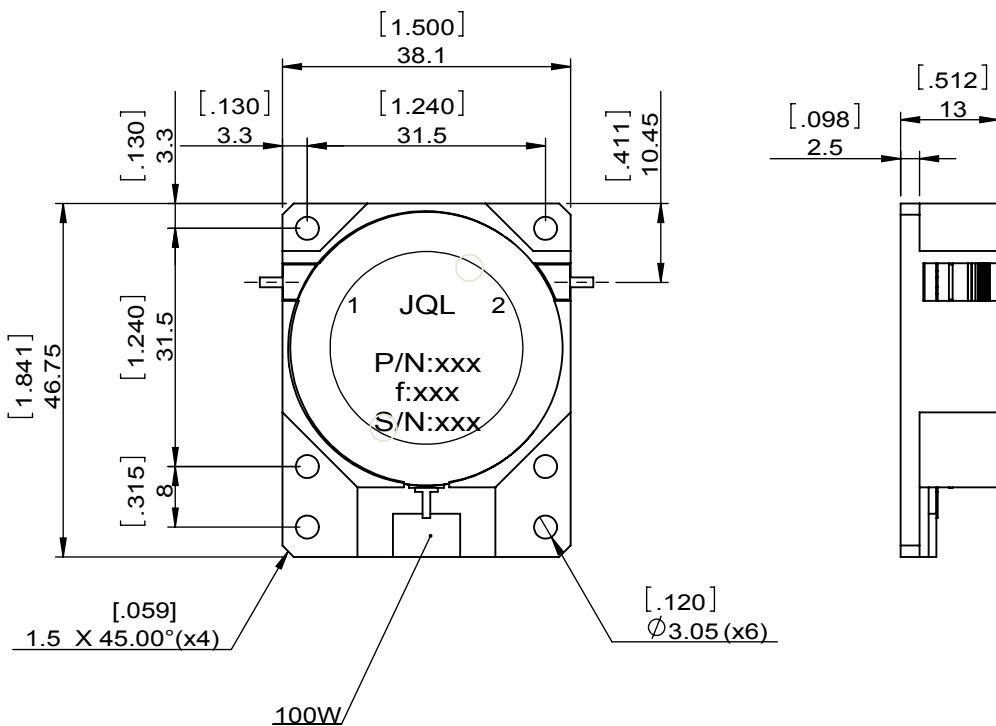
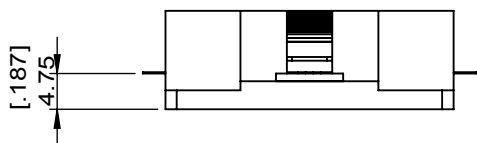
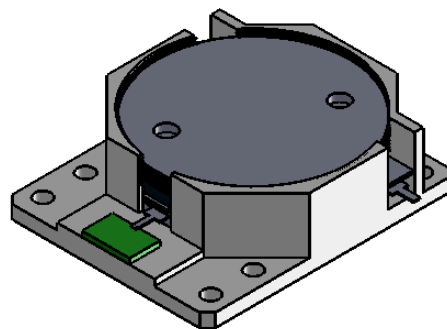


| | | | | | | | | | | | |
|----------------------------|--|---|--|---|--|---|--|--|--|------------------------|--|
| 1 | | 2 | | 3 | | 4 | | 5 | | 6 | |
| Document No. QR4-700-T-003 | | | | | | | | REV. DESCRIPTION REVISOR DATE APPROVED | | | |
| REV. A/0 | | | | | | | | 0 | | ZC.Wu 05.28.2014 David | |



| SPECIFICATIONS | |
|---------------------------------|---------------------------------|
| Part's Number | JID0570T0710KM2 |
| Frequency(GHz) | 0.570~0.710 |
| Direction | CW |
| Insertion Loss(dB)MAX | 0.50 |
| Isolation(dB)MIN | 20.0 |
| Return Loss(dB)MIN | 20.0 |
| 3rd IMD(dBc)MAX | |
| Power FWD/REV/PK(Watt) | 15/15 |
| Operating Temperature(°C) | -20~+80 |
| Storage Temperature(°C) | - |
| 2nd/3rd Harmonic(dBc) | - |
| Termination/Attenuator(Watt/dB) | 100/- |
| Tab(W×LG×THK)(mm[Inch]) | 1.30[0.051]×3[0.118]×0.2[0.008] |
| Additional Notes | |

| | | | | |
|---|--|-----------------------------------|---|----------------|
| JQL JQL Electronic Inc | | | | |
| MATERIAL: STEEL | | DWG NO: JID0570T0710KM2 | | |
| SURFACE TREATMENT: NICKEL PLATING | | DWG BY: | ZC.Wu | 05.28.2014 |
| DESCRIPTION: DROP IN ISOLATOR T | | CHK'D BY: | | SACLE |
| | | APPV'D BY: | | 1:1 |
| | | Unit: mm[inch] | Tolerance: Liner: ±0.25 Anguar: ±0.5° | The First: |
| | | | | A4 |



This document is the property of JQL Electronic Inc. It cannot be copied, duplicated, used for manufacturing purposes or communicated to third party as a whole or partly, without the written consent of JQL Electronic Inc.