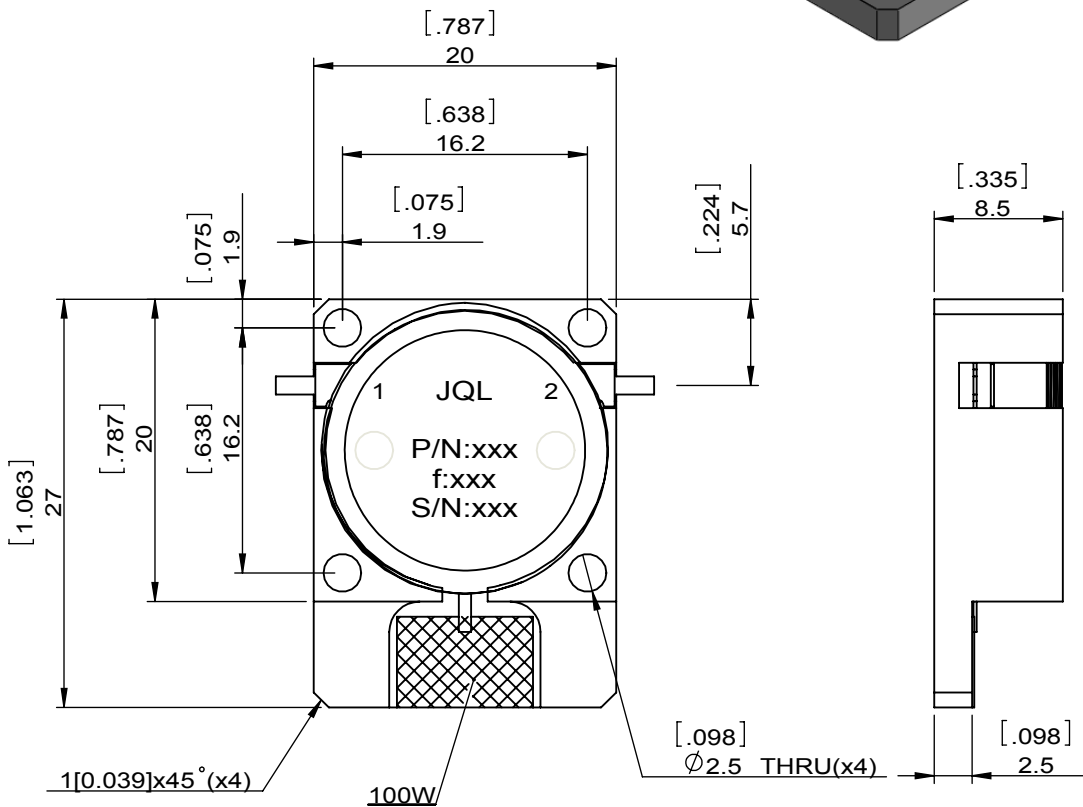
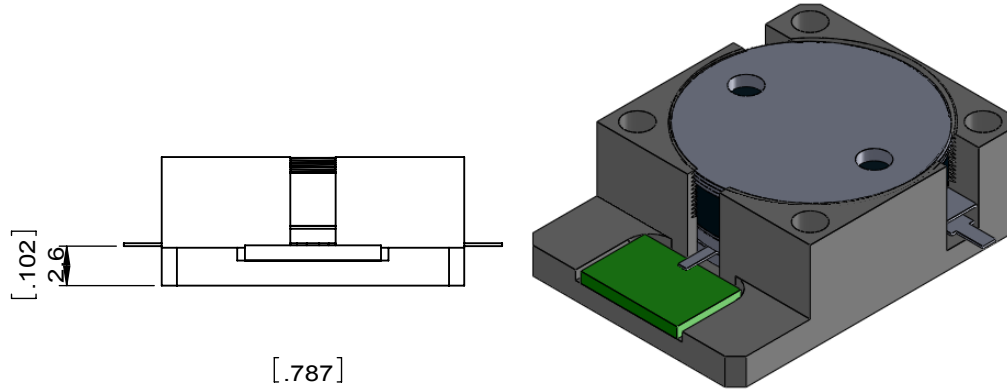


1		2		3		4		5		6	
Document No.	QR4-700-T-003	REV.	A/0	REV.	DESCRIPTION	REVISOR	DATE	APPROVED			
				0		ZC.Wu	11.09.2015	David			



SPECIFICATIONS	
Part's Number	JID0925T0960AM6
Frequency(GHz)	0.925~0.960
Direction	CW
Insertion Loss(dB)MAX	0.25@25°C 0.35@-40°C~+100°C
Isolation(dB)MIN	21@25°C 19@-40°C~+100°C
Return Loss(dB)MIN	20.0@25°C 18.0@-40°C~+100°C
3rd IMD(dBc)MAX	-65@2x47dBm
Power FWD/REV/PK(Watt)	100/70(>1 MINS)
Operating Temperature(°C)	-40~+100
Storage Temperature(°C)	-
2nd/3rd Harmonic(dBc)	-
Termination/Attenuator(Watt/dB)	-
Tab(W×LG×THK)(mm[Inch])	1.2[0.047]x2.5[0.098]x0.2[0.008]
Additional Notes	-

JQL JQL Electronic Inc				
MATERIAL: STEEL		DWG NO: JID0925T0960AM6		
SURFACE TREATMENT: NICKEL PLATING		DWG BY:	ZC.Wu	11.09.2015
DESCRIPTION: DROP IN ISOLATOR		CHK'D BY:		SCALE
		APPV'D BY:		2:1
Unit: mm[inch]	Tolerance: Liner: ±0.25 Anguar: ±0.5°	The First:	A4	



This document is the property of JQL Electronic Inc. It cannot be copied, duplicated, used for manufacturing purposes or communicated to third party as a whole or partly, without the written consent of JQL Electronic Inc.