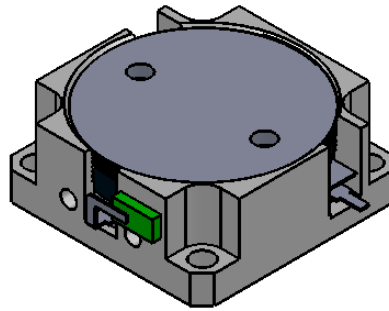
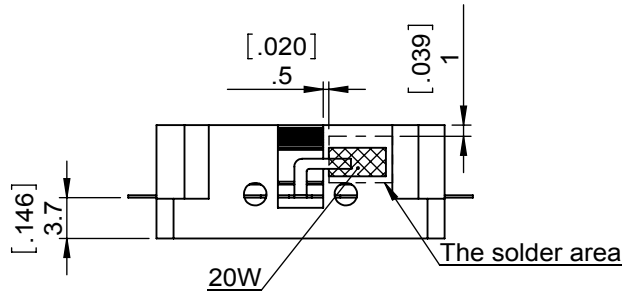
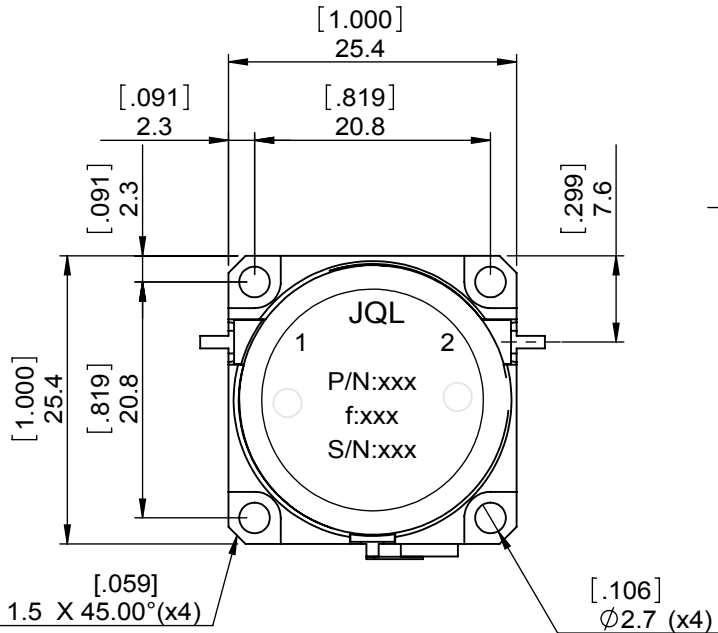


1	2
Document No.	QR4-700-T-003
REV.	A/0

3	4	5	6
REV.	DESCRIPTION	REVISOR	DATE
0		M.Hao	04.21.2014
			APPROVED
			David



SPECIFICATIONS	
Part's Number	JID1250T1350M0
Frequency(GHz)	1.250~1.350
Direction	CW
Insertion Loss(dB)MAX	0.40
Isolation(dB)MIN	20.0
Return Loss(dB)MIN	20.0
3rd IMD(dBc)MAX	-
Power FWD/REV/PK(Watt)	2/2/-
Operating Temperature(°C)	-30~+75
Storage Temperature(°C)	-
2nd/3rd Harmonic(dBc)	-
Termination/Attenuator(Watt/dB)	20W
Tab(W×LG×THK)(mm[Inch])	1.1[.043]x2.5[.098]x0.2[.008]
Additional Notes	-



JQL JQL Electronic Inc		500 Lake Cook Road, Suite 350 Deerfield, IL 60015, USA		Tel: 1(888)236-9828 Fax: 1(888)823-2902	
MATERIAL: STEEL	DWG NO: JID1250T1350M0				
SURFACE TREATMENT: NICKEL PLATING	DWG BY:	M.Hao	04.21.2014	SACLE	
	CHK'D BY:				
DESCRIPTION: DROP-IN ISOLATOR	APPV'D BY:			3:2	
	Unit: mm[inch]	Tolerance: Liner: ±0.25 Anguar: ±0.5°	The First:		
				A4	



This document is the property of JQL Electronic Inc. It cannot be copied, duplicated, used for manufacturing purposes or communicated to third party as a whole or partly, without the written consent of JQL Electronic Inc.